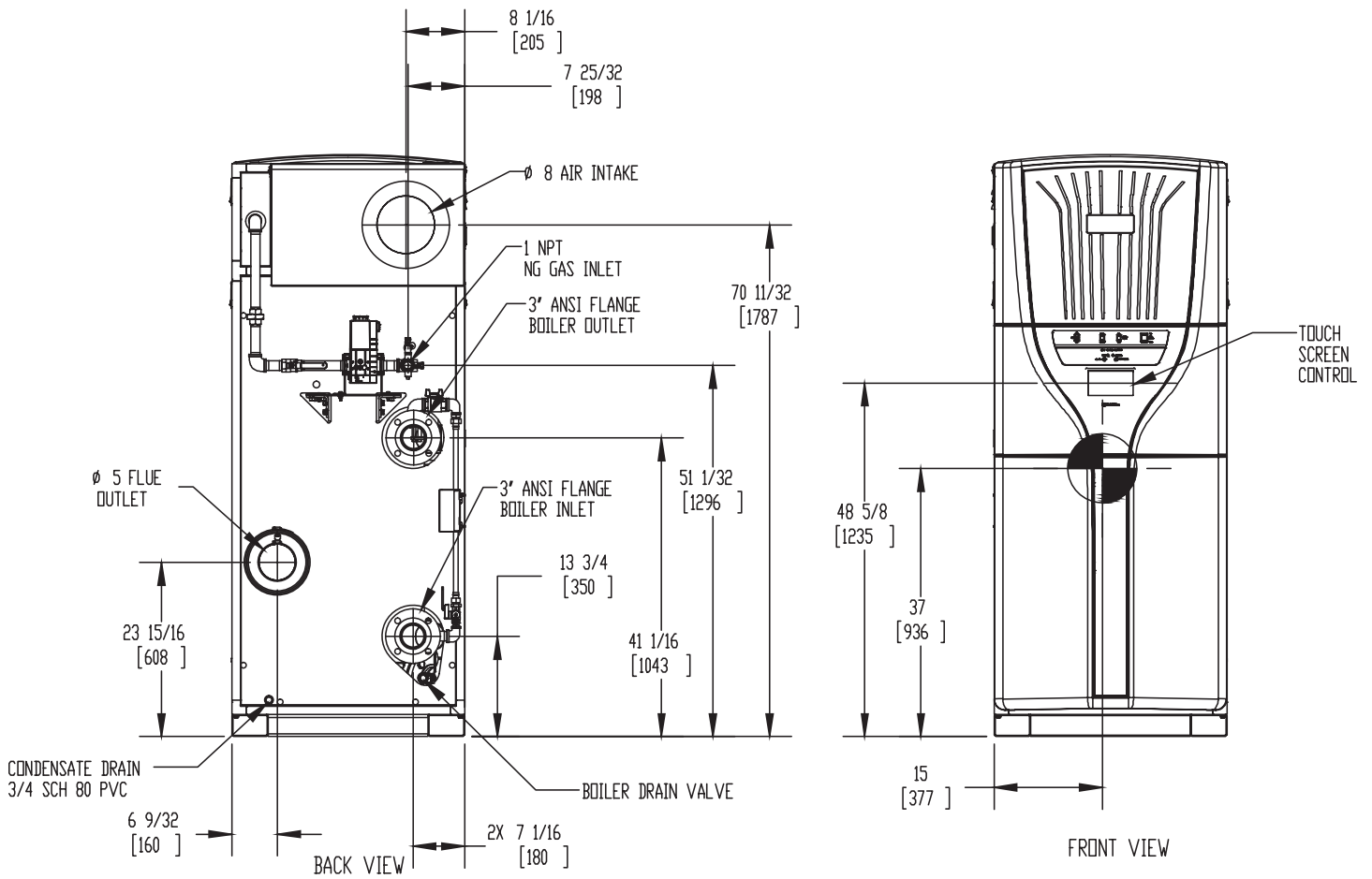


FlexCore 850

Category II or Category IV Appliance
 (see Installation and Operation Manual for venting information)

CODE OPTIONS

CSD-1	STANDARD
-------	----------



Notes:

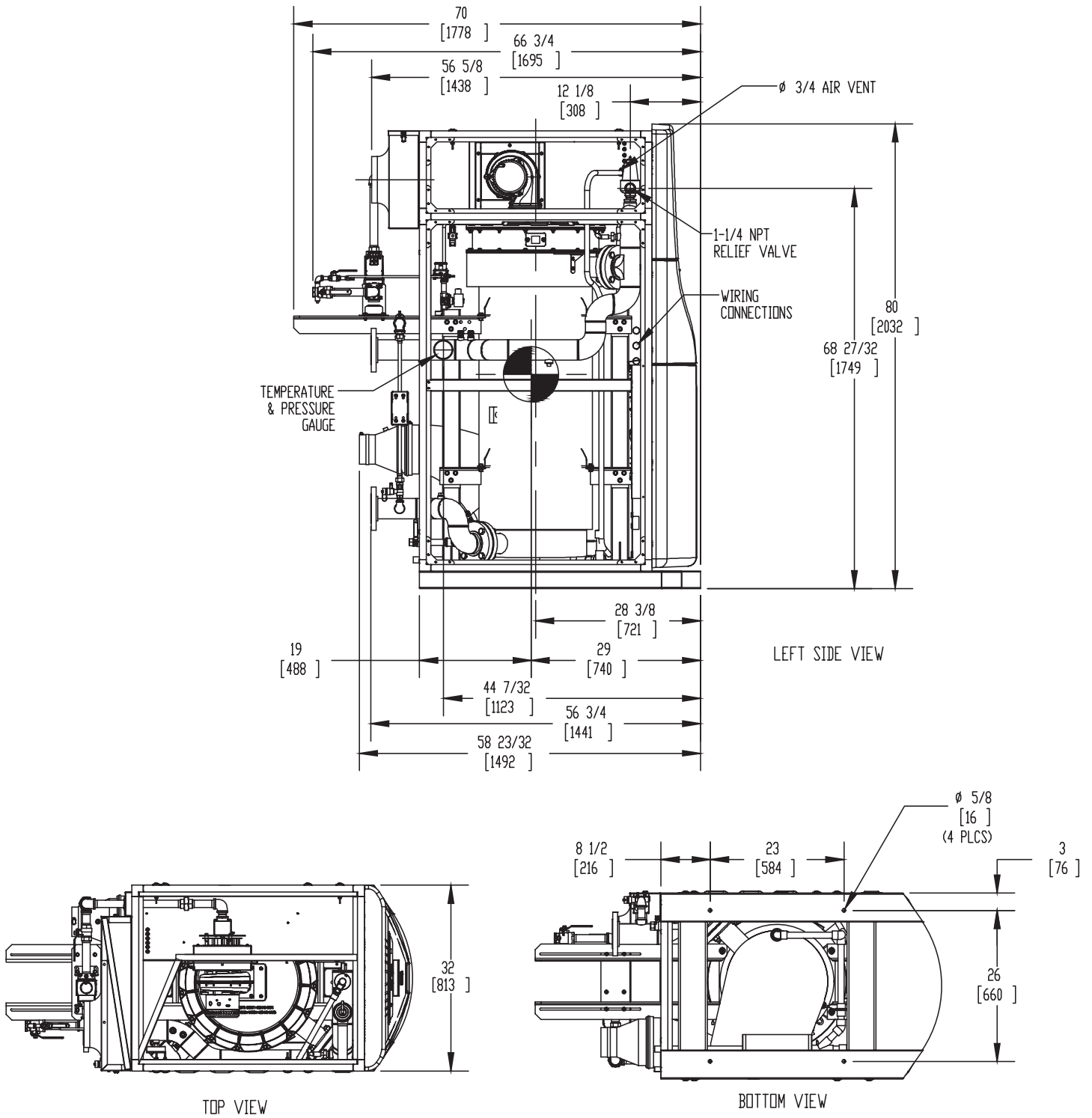
1. Dimensions are approximate and should not be used to "rough-in" equipment.
2. Dimensions are subject to change without notice.
3. All dimensions are in inches (mm).
4. ● Symbol indicates center of gravity.

FlexCore 850

Category II or Category IV Appliance
(see Installation and Operation Manual for venting information)

CODE OPTIONS

CSD-1	STANDARD
-------	----------



Notes:

1. Dimensions are approximate and should not be used to "rough-in" equipment.
2. Dimensions are subject to change without notice.
3. All dimensions are in inches (mm).
4. ● Symbol indicates center of gravity.

BOILER CERTIFIED RATINGS & CAPACITIES

Fuel Type	Natural Gas	Boiler FLA	9.5*
Input BTU/hr.	850,000 / 249 KW	Boiler HP	24.3
Output BTU/hr.	811,750 / 238 KW	Min. Gas Pressure Required	3" W.C.
Electrical Requirements	120 VAC/60 Hz/1PH (with neutral)	Max. Gas Pressure Allowed	14" W.C.
		Operating Weight	1655 lbs. / 750.7 kg.

BOILER TRIM & CONTROLS

Main Gas Valve	Dungs MBC	Air Switch	Huba
Firing Valve	1" Apollo	Flow Sensor	SIKA
Ignition Control	Honeywell RM7895C	Blocked Flue Switch	Cleveland NS2
Operating Control	HeatNet®	Blower Motor	Ametek
High Limit	Jumo	L.W.C.O.	800
Main Ball Valve	1" Apollo	Relief Valve	1" x 1-1/4" set @ 50 psi
Pilot Cock	1/4"	Pilot Regulator	White-Rodgers

A.S.M.E.

ASME Sect IV Fire Side Htg Surface	82 Sq. Ft. / 7.62 Sq. M.	Design Data	Max. 160 psig & 210°F
ASME Sect IV Water Side Htg Surface	85 Sq. Ft. / 7.90 Sq. M.	Water Volume	42 gal. / 160 Liters
CV. GPM (1PSID)	87		

* Add circulator amps.

BOILER TEMPERATURE RISE / PRESSURE DROP (Based on Full Input)

20°F / 11.1°C		40°F / 22.2°C				60°F / 33.3°C				80°F / 44.4°C				100°F / 55.5°C					
Flow Rate		Pressure Drop		Flow Rate		Pressure Drop		Flow Rate		Pressure Drop		Flow Rate		Pressure Drop		Flow Rate		Pressure Drop	
GPM	L/s	Ft	kPa	GPM	L/s	Ft	kPa	GPM	L/s	Ft	kPa	GPM	L/s	Ft	kPa	GPM	L/s	Ft	kPa
81.2	5.1	2.0	6.0	40.6	2.6	0.5	1.5	27.1	1.7	0.2	0.7	20.3	1.3	0.1	0.4	16.2	1.0	0.1	0.2

Flow GPM		Temp. Rise** (°F)		Vent Length (Equiv. Ft.)		Air Inlet Length (Equiv. Ft.)	
Min	Max	Min	Max	Min	Max	Min	Max
16.2	81.2	20	100	6	100	0	100

** Min/Max delta t reflects boiler operation at full input. For applications requiring operation above/below these parameters please consult factory.

REP FIRM	_____
SUBMITTED BY	_____
JOB NAME	_____
ARCHITECT	_____
ENGINEER	_____
CONTRACTOR	_____
DATE	_____

FlexCore 850

Category II or Category IV Appliance
(see Installation and Operation Manual for venting information)



A Division of Mestek, Inc.
Westfield, MA 01085
(413) 564-5515

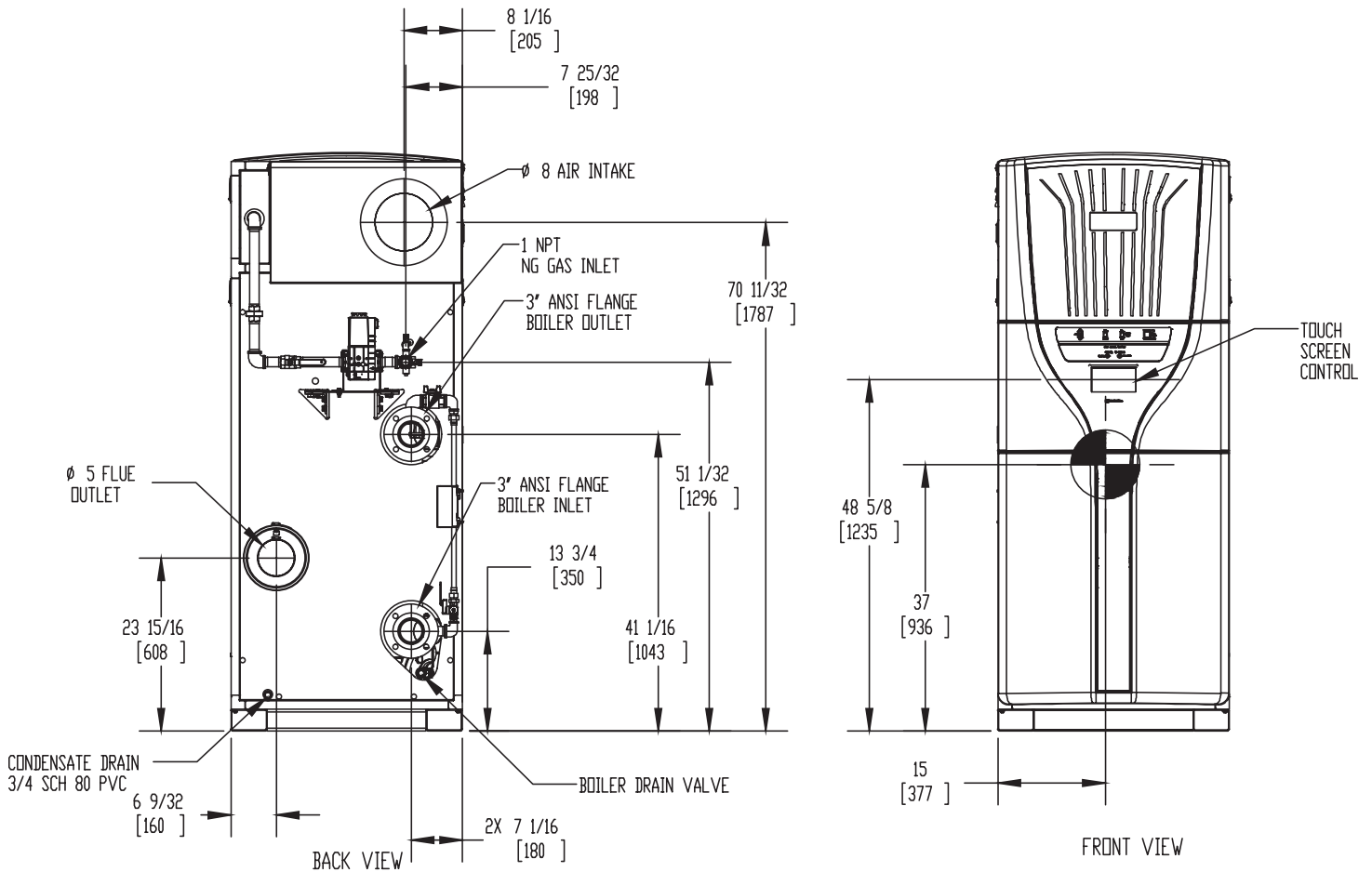
FlexCore 1000

Category II or Category IV Appliance

(see Installation and Operation Manual for venting information)

CODE OPTIONS

CSD-1	STANDARD
-------	----------



Notes:

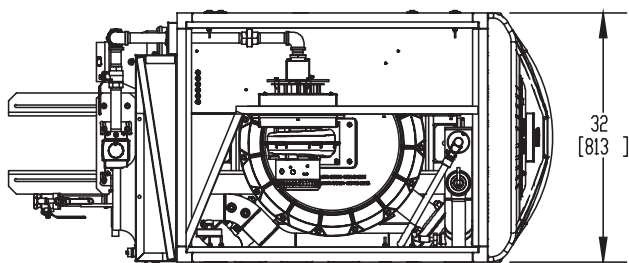
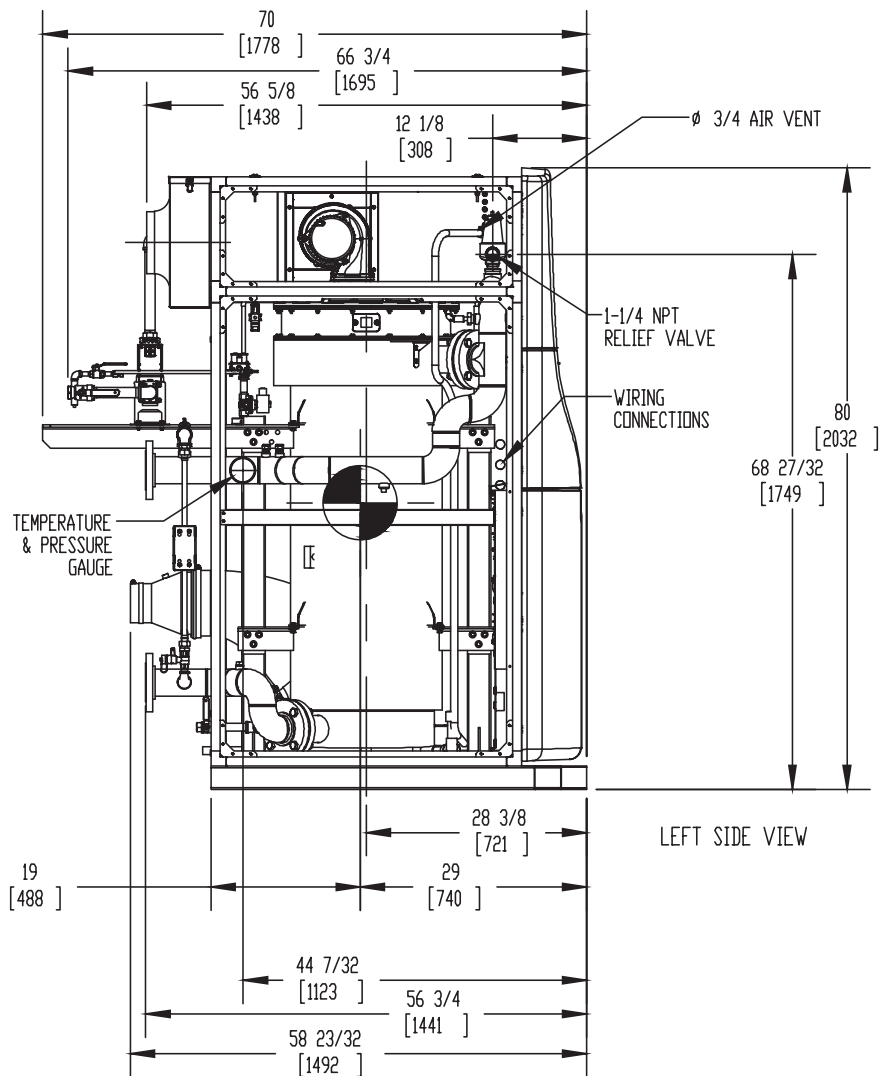
1. Dimensions are approximate and should not be used to "rough-in" equipment.
2. Dimensions are subject to change without notice.
3. All dimensions are in inches (mm).
4. ● Symbol indicates center of gravity.

FlexCore 1000

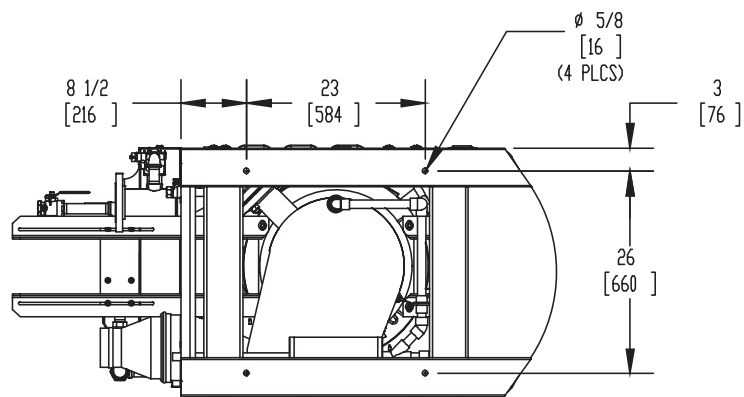
Category II or Category IV Appliance
(see Installation and Operation Manual for venting information)

CODE OPTIONS

CSD-1	STANDARD
-------	----------




TOP VIEW



BOTTOM VIEW

Notes:

1. Dimensions are approximate and should not be used to "rough-in" equipment.
2. Dimensions are subject to change without notice.
3. All dimensions are in inches (mm).
4.  Symbol indicates center of gravity.

BOILER CERTIFIED RATINGS & CAPACITIES

Fuel Type	Natural Gas	Boiler FLA	9.5*
Input BTU/hr.	1,000,000 / 293 KW	Boiler HP	28.5
Output BTU/hr.	955,000 / 280	Min. Gas Pressure Required	3" W.C.
Electrical Requirements	120 VAC/60 Hz/1PH (with neutral)	Max. Gas Pressure Allowed	14" W.C.
		Operating Weight	1725 lbs. / 782.4 kg.

BOILER TRIM & CONTROLS

Main Gas Valve	Dungs MBC	Air Switch	Huba
Firing Valve	1" Apollo	Flow Sensor	SIKA
Ignition Control	Honeywell RM7895C	Blocked Flue Switch	Cleveland NS2
Operating Control	HeatNet®	Blower Motor	Ametek
High Limit	Jumo	L.W.C.O.	800
Main Ball Valve	1" Apollo	Relief Valve	1" x 1-1/4" set @ 50 psi
Pilot Cock	1/4"	Pilot Regulator	White-Rodgers

A.S.M.E.

ASME Sect IV Fire Side Htg Surface	82 Sq. Ft. / 7.62 Sq. M.	Design Data	Max. 160 psig & 210°F
ASME Sect IV Water Side Htg Surface	85 Sq. Ft. / 7.90 Sq. M.	Water Volume	42 gal. / 160 Liters
CV. GPM (1PSID)	87		

* Add circulator amps.

BOILER TEMPERATURE RISE / PRESSURE DROP (Based on Full Input)

20°F / 11.1°C				40°F / 22.2°C				60°F / 33.3°C				80°F / 44.4°C				100°F / 55.5°C			
Flow Rate		Pressure Drop		Flow Rate		Pressure Drop		Flow Rate		Pressure Drop		Flow Rate		Pressure Drop		Flow Rate		Pressure Drop	
GPM	L/s	Ft	kPa	GPM	L/s	Ft	kPa	GPM	L/s	Ft	kPa	GPM	L/s	Ft	kPa	GPM	L/s	Ft	kPa
95.5	6.0	2.8	8.3	47.8	3.0	0.7	2.1	31.8	2.0	0.3	0.9	23.9	1.5	0.2	0.5	19.1	1.2	0.1	0.3

Flow GPM				Temp. Rise** (°F)				Vent Length (Equiv. Ft.)				Air Inlet Length (Equiv. Ft.)			
Min		Max		Min		Max		Min		Max		Min		Max	
19.1		95.5		20		100		6		100		0		100	

** Min/Max delta t reflects boiler operation at full input. For applications requiring operation above/below these parameters please consult factory.

REP FIRM	_____
SUBMITTED BY	_____
JOB NAME	_____
ARCHITECT	_____
ENGINEER	_____
CONTRACTOR	_____
DATE	_____

FlexCore 1000

Category II or Category IV Appliance
(see Installation and Operation Manual for venting information)



A Division of Mestek, Inc.
Westfield, MA 01085
(413) 564-5515

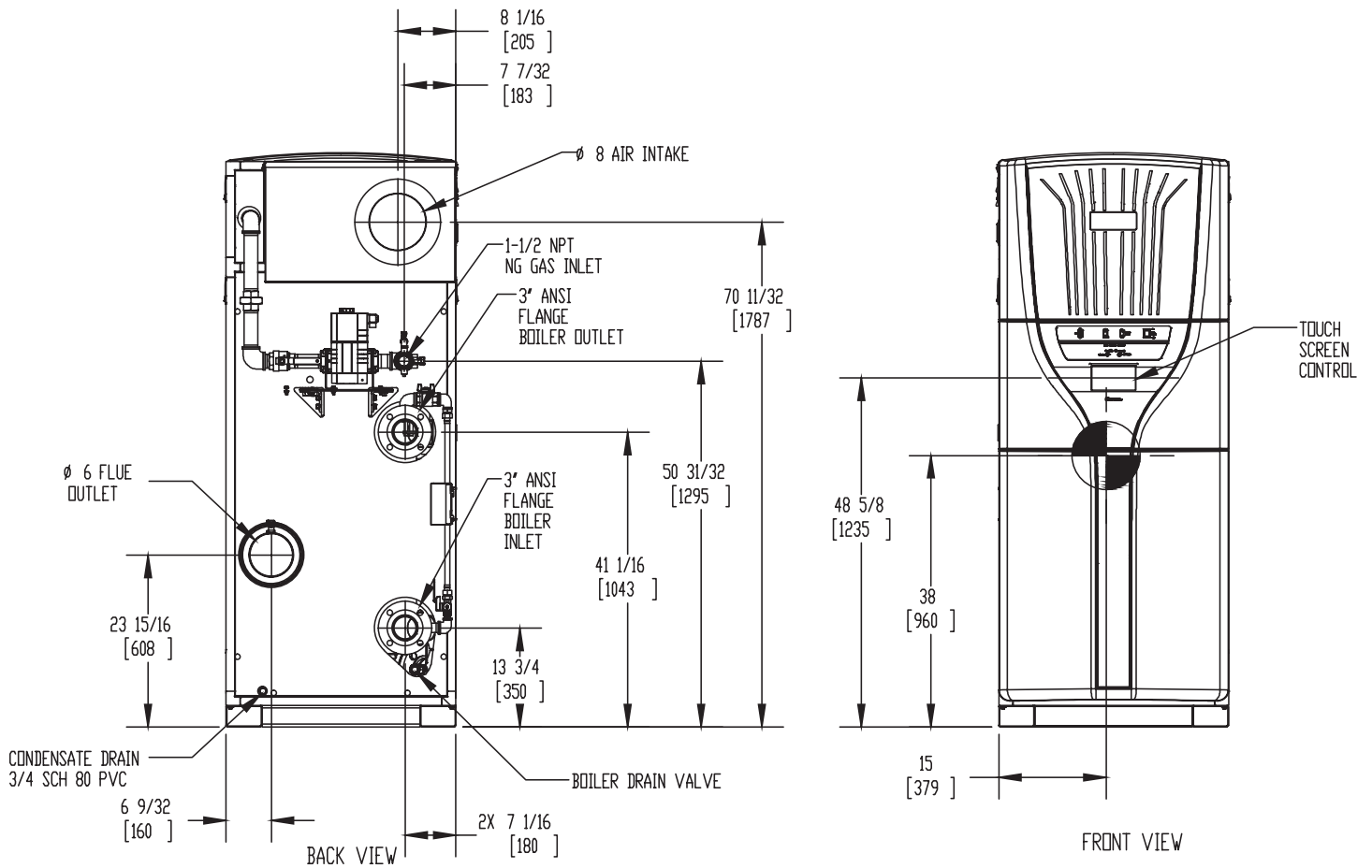
FlexCore 1500

Category II or Category IV Appliance

(see Installation and Operation Manual for venting information)

CODE OPTIONS

CSD-1	STANDARD
-------	----------



Notes:

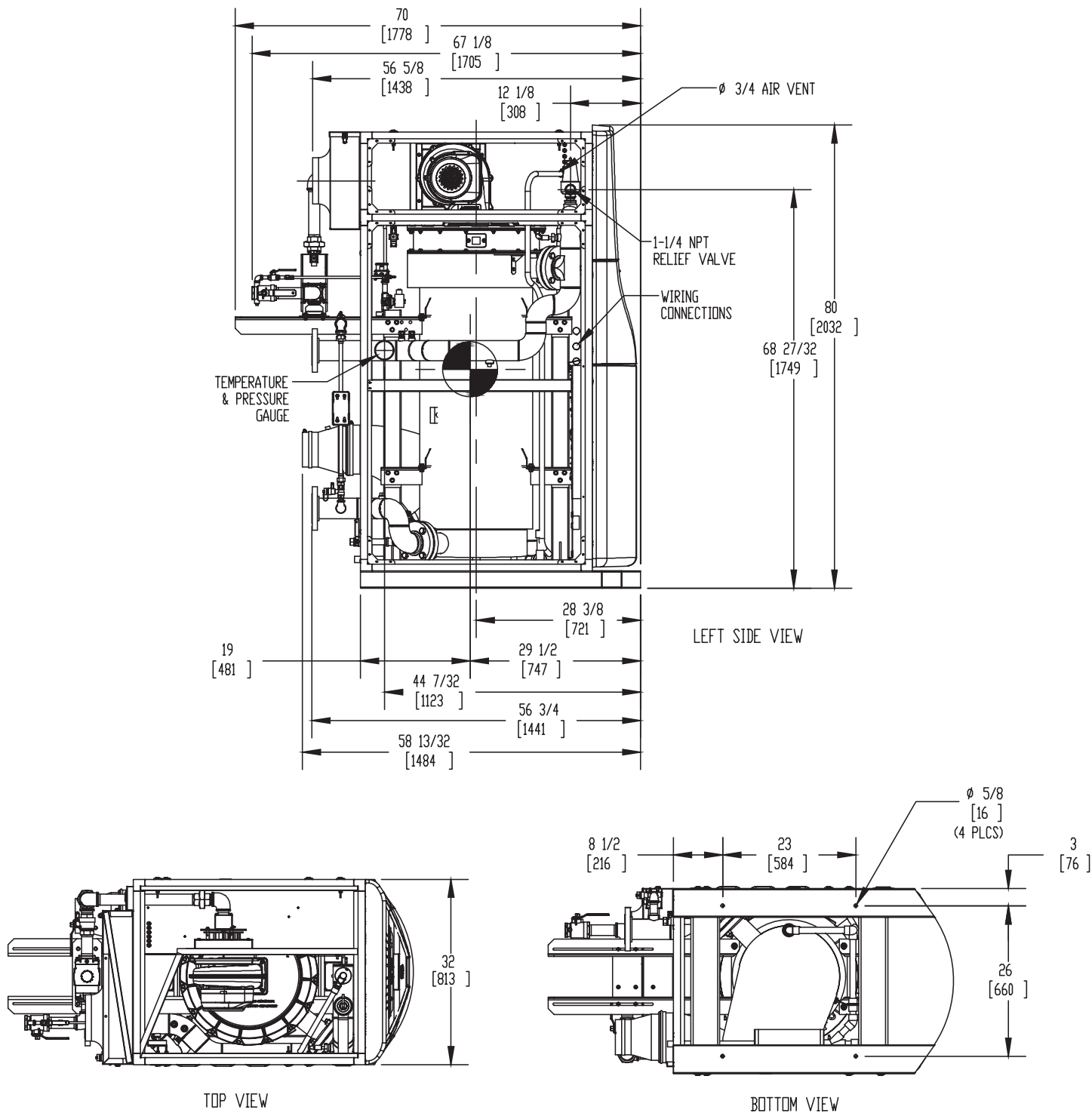
1. Dimensions are approximate and should not be used to "rough-in" equipment.
2. Dimensions are subject to change without notice.
3. All dimensions are in inches (mm).
4. ● Symbol indicates center of gravity.

FlexCore 1500

Category II or Category IV Appliance
(see Installation and Operation Manual for venting information)

CODE OPTIONS

CSD-1	STANDARD
-------	----------



Notes:

1. Dimensions are approximate and should not be used to "rough-in" equipment.
2. Dimensions are subject to change without notice.
3. All dimensions are in inches (mm).
4. ● Symbol indicates center of gravity.

BOILER CERTIFIED RATINGS & CAPACITIES

Fuel Type	Natural Gas	Boiler FLA	12.7*
Input BTU/hr.	1,500,000 / 440 KW	Boiler HP	42.6
Output BTU/hr.	1,426,500 / 418 KW	Min. Gas Pressure Required	3" W.C.
Electrical Requirements	230 VAC/60 Hz/1PH (with neutral)	Max. Gas Pressure Allowed	14" W.C.
		Operating Weight	1780 lbs. / 807 kg.

BOILER TRIM & CONTROLS

Main Gas Valve	Dungs MBC	Air Switch	Huba
Firing Valve	1 1/2" Apollo	Flow Sensor	SIKA
Ignition Control	Honeywell RM7895C	Blocked Flue Switch	Cleveland NS2
Operating Control	HeatNet®	Blower Motor	Ametek
High Limit	Jumo	L.W.C.O.	800
Main Ball Valve	1 1/2" Apollo	Relief Valve	1" x 1-1/4" set @ 50 psi
Pilot Cock	1/4"	Pilot Regulator	White-Rodgers

A.S.M.E.

ASME Sect IV Fire Side Htg Surface	124 Sq. Ft. / 11.5 Sq. M.	Design Data	Max. 160 psig & 210°F
ASME Sect IV Water Side Htg Surface	132 Sq. Ft. / 12.3 Sq. M.	Water Volume	40 gal. / 151 Liters
CV. GPM (1PSID)	85		

* Add circulator amps.

BOILER TEMPERATURE RISE / PRESSURE DROP (Based on Full Input)

20°F / 11.1°C				40°F / 22.2°C				60°F / 33.3°C				80°F / 44.4°C				100°F / 55.5°C			
Flow Rate		Pressure Drop		Flow Rate		Pressure Drop		Flow Rate		Pressure Drop		Flow Rate		Pressure Drop		Flow Rate		Pressure Drop	
GPM	L/s	Ft	kPa	GPM	L/s	Ft	kPa	GPM	L/s	Ft	kPa	GPM	L/s	Ft	kPa	GPM	L/s	Ft	kPa
142.7	9.0	6.5	19.4	71.4	4.5	1.6	4.8	47.6	3.0	.7	2.1	35.7	2.2	.4	1.2	28.5	1.8	.3	.8

Flow GPM		Temp. Rise** (°F)		Vent Length (Equiv. Ft.)		Air Inlet Length (Equiv. Ft.)	
Min	Max	Min	Max	Min	Max	Min	Max
28.5	142.7	20	100	6	100	0	100

** Min/Max delta t reflects boiler operation at full input. For applications requiring operation above/below these parameters please consult factory.

REP FIRM	_____
SUBMITTED BY	_____
JOB NAME	_____
ARCHITECT	_____
ENGINEER	_____
CONTRACTOR	_____
DATE	_____

FlexCore 1500

Category II or Category IV Appliance
(see Installation and Operation Manual for venting information)



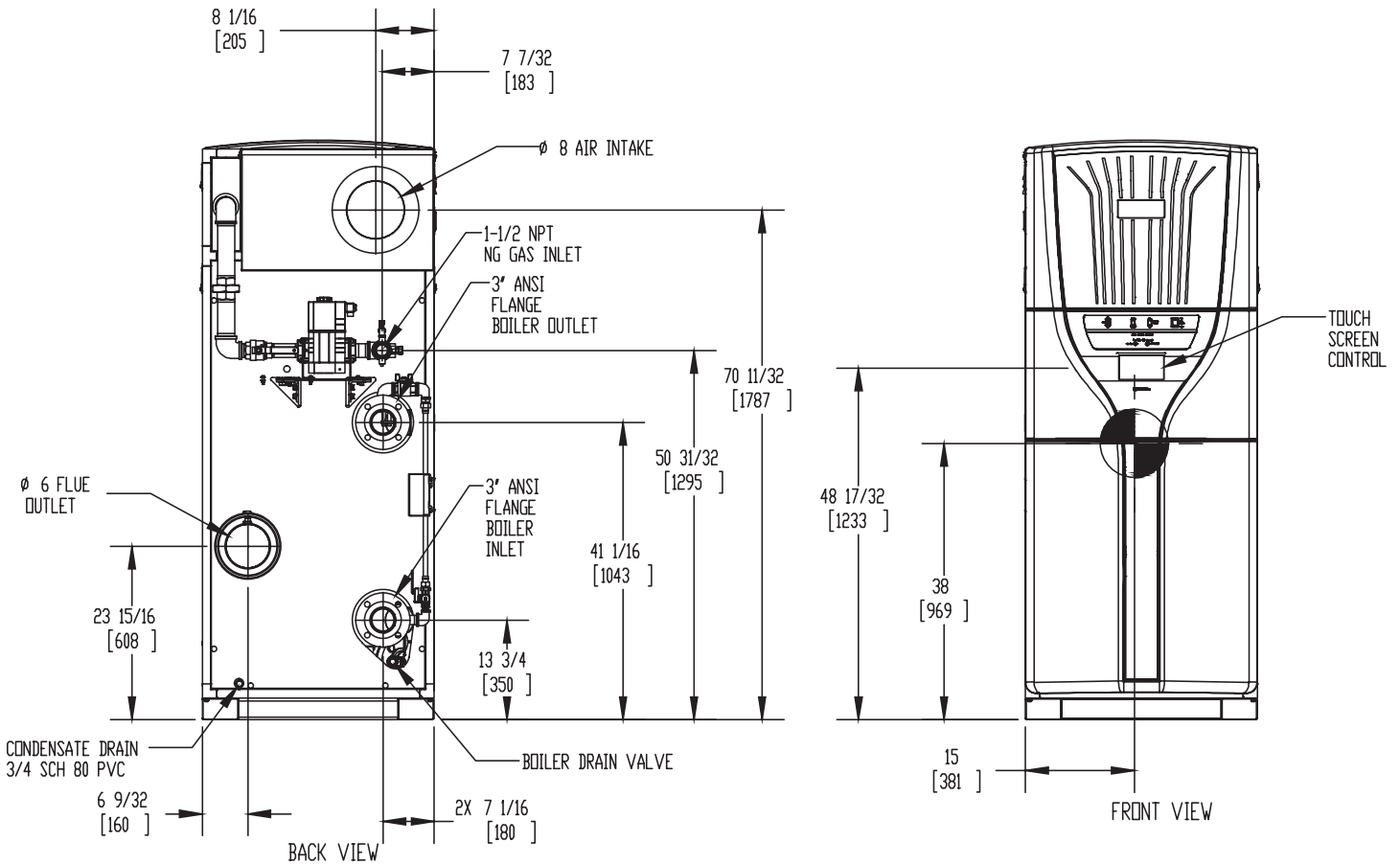
A Division of Mestek, Inc.
Westfield, MA 01085
(413) 564-5515

FlexCore 2000

Category II or Category IV Appliance
 (see Installation and Operation Manual for venting information)

CODE OPTIONS

CSD-1	STANDARD
-------	----------



Notes:

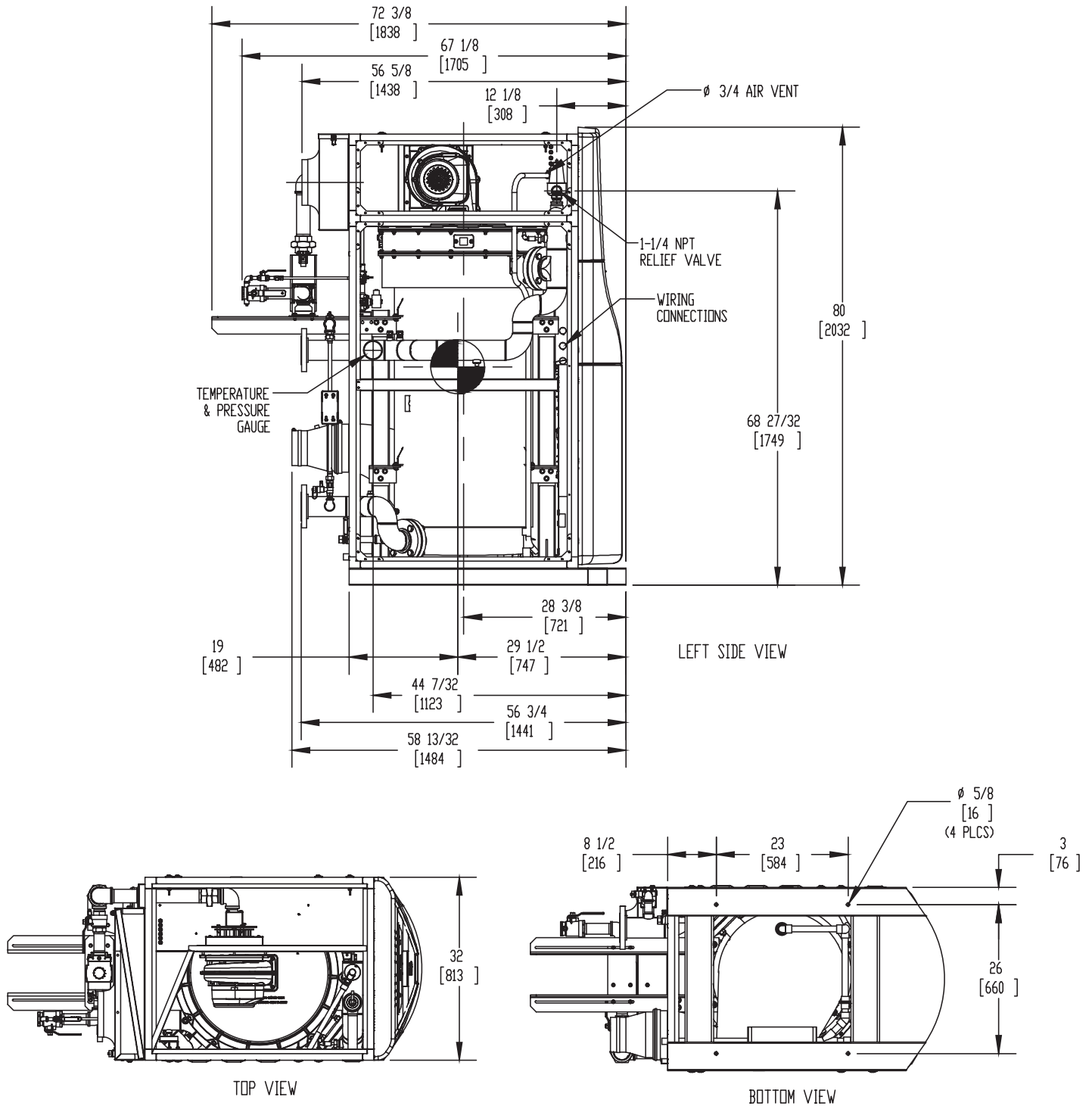
1. Dimensions are approximate and should not be used to "rough-in" equipment.
2. Dimensions are subject to change without notice.
3. All dimensions are in inches (mm).
4. ● Symbol indicates center of gravity.

FlexCore 2000

Category II or Category IV Appliance
(see Installation and Operation Manual for venting information)

CODE OPTIONS

CSD-1	STANDARD
-------	----------



Notes:

1. Dimensions are approximate and should not be used to "rough-in" equipment.
2. Dimensions are subject to change without notice.
3. All dimensions are in inches (mm).
4. ● Symbol indicates center of gravity.

BOILER CERTIFIED RATINGS & CAPACITIES

Fuel Type	Natural Gas	Boiler FLA	12.7*
Input BTU/hr.	1,999,000 / 586 KW	Boiler HP	56.8
Output BTU/hr.	1,901,049 / 557KW	Min. Gas Pressure Required	3" W.C.
Electrical Requirements	230 VAC/60 Hz/1PH (with neutral)	Max. Gas Pressure Allowed	14" W.C.
		Operating Weight	2290 lbs. / 1039 kg.

BOILER TRIM & CONTROLS

Main Gas Valve	Dungs MBC	Air Switch	Huba
Firing Valve	1 1/2" Apollo	Flow Sensor	SIKA
Ignition Control	Honeywell RM7895C	Blocked Flue Switch	Cleveland NS2
Operating Control	HeatNet®	Blower Motor	Ametek
High Limit	Jumo	L.W.C.O.	800
Main Ball Valve	1 1/2" Apollo	Relief Valve	1" x 1-1/4" set @ 50 psi
Pilot Cock	1/4"	Pilot Regulator	White-Rodgers

A.S.M.E.

ASME Sect IV Fire Side Htg Surface	168 Sq. Ft. / 15.6 Sq. M.	Design Data	Max. 160 psig & 210°F
ASME Sect IV Water Side Htg Surface	174 Sq. Ft. / 16.2 Sq. M.	Water Volume	62 gal / 234 liters
CV. GPM (1PSID)	93		

* Add circulator amps.

BOILER TEMPERATURE RISE / PRESSURE DROP (Based on Full Input)

20°F / 11.1°C				40°F / 22.2°C				60°F / 33.3°C				80°F / 44.4°C				100°F / 55.5°C			
Flow Rate		Pressure Drop		Flow Rate		Pressure Drop		Flow Rate		Pressure Drop		Flow Rate		Pressure Drop		Flow Rate		Pressure Drop	
GPM	L/s	Ft	kPa	GPM	L/s	Ft	kPa	GPM	L/s	Ft	kPa	GPM	L/s	Ft	kPa	GPM	L/s	Ft	kPa
190.2	12.0	9.6	28.8	95.1	6.0	2.4	7.2	63.4	4.0	1.1	3.2	47.5	3.0	0.6	1.8	38.0	2.4	0.4	1.2

Flow GPM				Temp. Rise** (°F)				Vent Length (Equiv. Ft.)				Air Inlet Length (Equiv. Ft.)			
Min		Max		Min		Max		Min		Max		Min		Max	
38.0		190.2		20		100		6		100		0		100	

** Min/Max delta t reflects boiler operation at full input. For applications requiring operation above/below these parameters please consult factory.

REP FIRM _____
SUBMITTED BY _____
JOB NAME _____
ARCHITECT _____
ENGINEER _____
CONTRACTOR _____
DATE _____

FlexCore 2000

Category II or Category IV Appliance
(see Installation and Operation Manual for venting information)



A Division of Mestek, Inc.
Westfield, MA 01085
(413) 564-5515

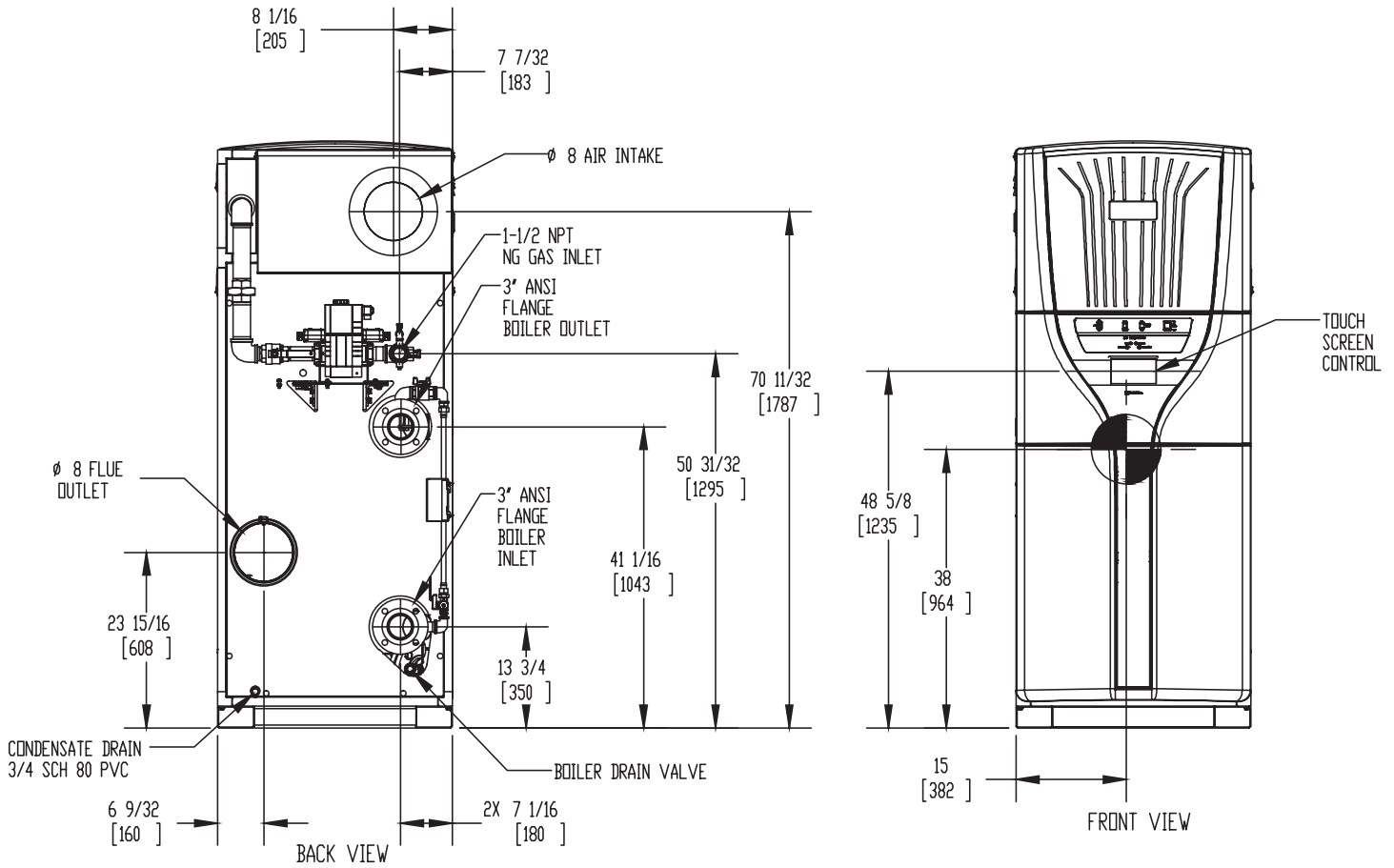
FlexCore 2500

Category II or Category IV Appliance

(see Installation and Operation Manual for venting information)

CODE OPTIONS

CSD-1	STANDARD
-------	----------



Notes:

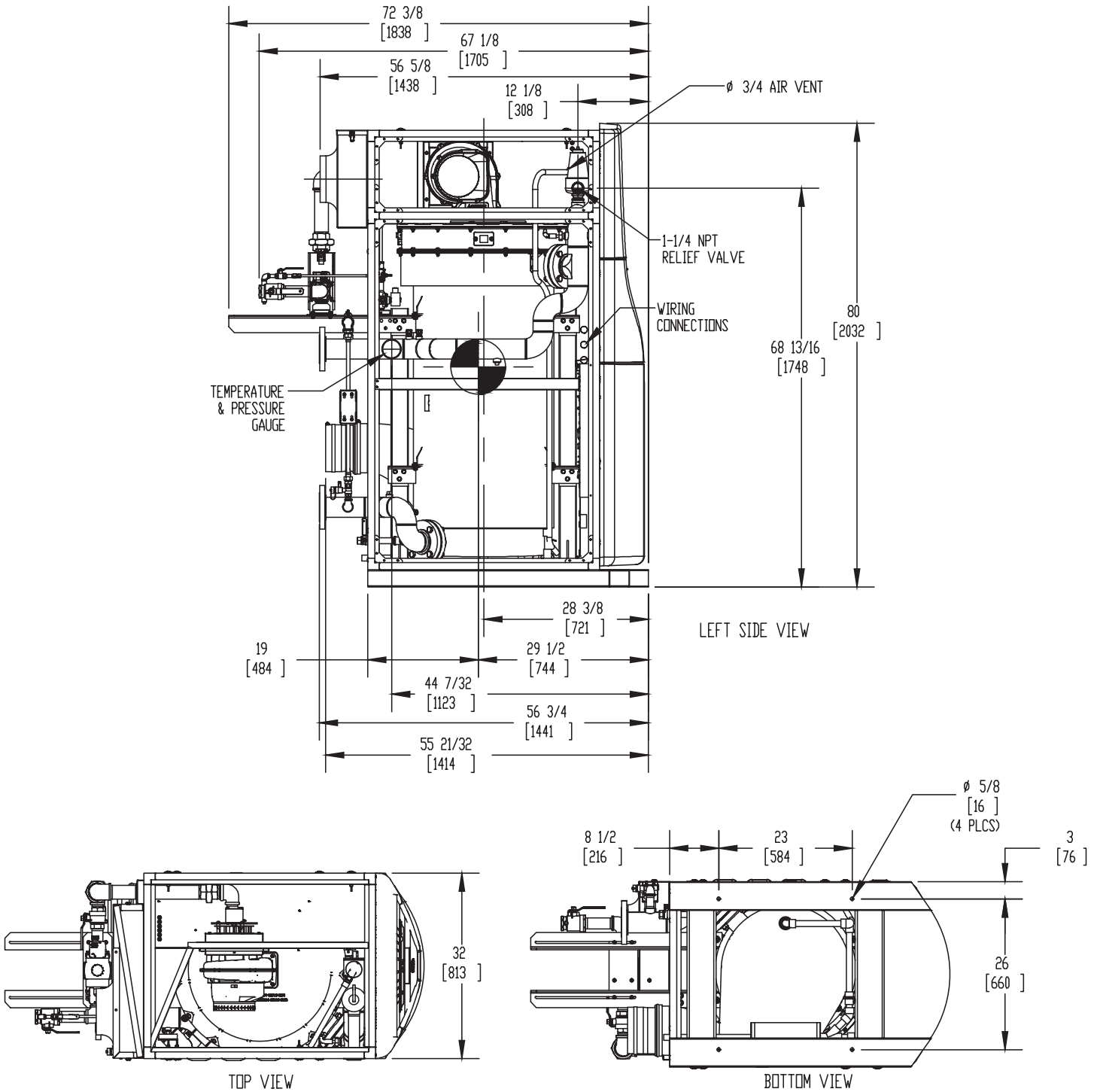
1. Dimensions are approximate and should not be used to "rough-in" equipment.
2. Dimensions are subject to change without notice.
3. All dimensions are in inches (mm).
4. ● Symbol indicates center of gravity.

FlexCore 2500

Category II or Category IV Appliance
(see Installation and Operation Manual for venting information)

CODE OPTIONS

CSD-1	STANDARD
-------	----------



Notes:

1. Dimensions are approximate and should not be used to "rough-in" equipment.
2. Dimensions are subject to change without notice.
3. All dimensions are in inches (mm).
4. ● Symbol indicates center of gravity.

BOILER CERTIFIED RATINGS & CAPACITIES

Fuel Type	Natural Gas	Boiler FLA	10.3*
Input BTU/hr.	2,500,000 / 733 KW	Boiler HP	71.6
Output BTU/hr.	2,397,500 / 703 KW	Min. Gas Pressure Required	3" W.C.
Electrical Requirements	230 VAC/60 Hz/3PH	Max. Gas Pressure Allowed	14" W.C.
		Operating Weight	2340 lbs. / 1061 kg.

BOILER TRIM & CONTROLS

Main Gas Valve	Dungs MBC	Air Switch	Huba
Firing Valve	1 1/2" Apollo	Flow Sensor	SIKA
Ignition Control	Honeywell RM7895C	Blocked Flue Switch	Cleveland NS2
Operating Control	HeatNet®	Blower Motor	Ametek
High Limit	Jumo	L.W.C.O.	800
Main Ball Valve	1 1/2" Apollo	Relief Valve	1-1/4" x 1-1/4" set @ 50 psi
Pilot Cock	1/4"	Pilot Regulator	White-Rodgers

A.S.M.E.

ASME Sect IV Fire Side Htg Surface	202 Sq. Ft. / 18.8 Sq. M.	Design Data	Max. 160 psig & 210°F
ASME Sect IV Water Side Htg Surface	211 Sq. Ft. / 19.6 Sq. M.	Water Volume	58 gal / 219 liters
CV. GPM (1PSID)	100		

* Add circulator amps.

BOILER TEMPERATURE RISE / PRESSURE DROP (Based on Full Input)

20°F / 11.1°C		40°F / 22.2°C				60°F / 33.3°C				80°F / 44.4°C				100°F / 55.5°C					
Flow Rate		Pressure Drop		Flow Rate		Pressure Drop		Flow Rate		Pressure Drop		Flow Rate		Pressure Drop		Flow Rate		Pressure Drop	
GPM	L/s	Ft	kPa	GPM	L/s	Ft	kPa	GPM	L/s	Ft	kPa	GPM	L/s	Ft	kPa	GPM	L/s	Ft	kPa
239.8	15.1	13.3	39.7	119.9	7.6	3.3	9.9	79.9	5.0	1.5	4.4	60.0	3.8	0.8	2.5	48.0	3.0	0.5	1.6

Flow GPM		Temp. Rise** (°F)		Vent Length (Equiv. Ft.)		Air Inlet Length (Equiv. Ft.)	
Min	Max	Min	Max	Min	Max	Min	Max
48	239.8	20	100	6	100	0	100

** Min/Max delta t reflects boiler operation at full input. For applications requiring operation above/below these parameters please consult factory.

REP FIRM	_____
SUBMITTED BY	_____
JOB NAME	_____
ARCHITECT	_____
ENGINEER	_____
CONTRACTOR	_____
DATE	_____

FlexCore 2500

Category II or Category IV Appliance
(see Installation and Operation Manual for venting information)



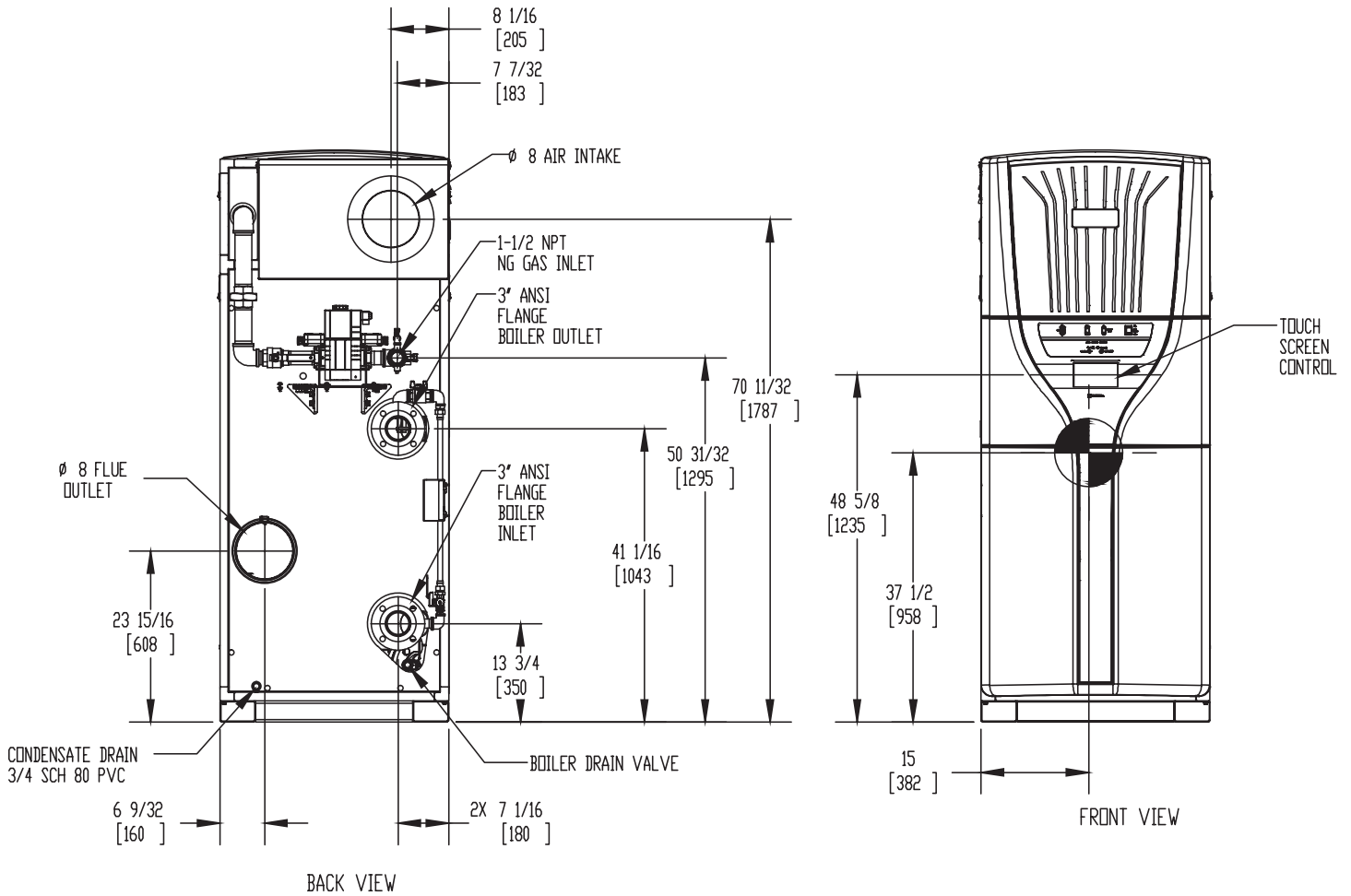
A Division of Mestek, Inc.
Westfield, MA 01085
(413) 564-5515

FlexCore 3000

Category II or Category IV Appliance
 (see Installation and Operation Manual for venting information)

CODE OPTIONS

CSD-1	STANDARD
-------	----------



Notes:

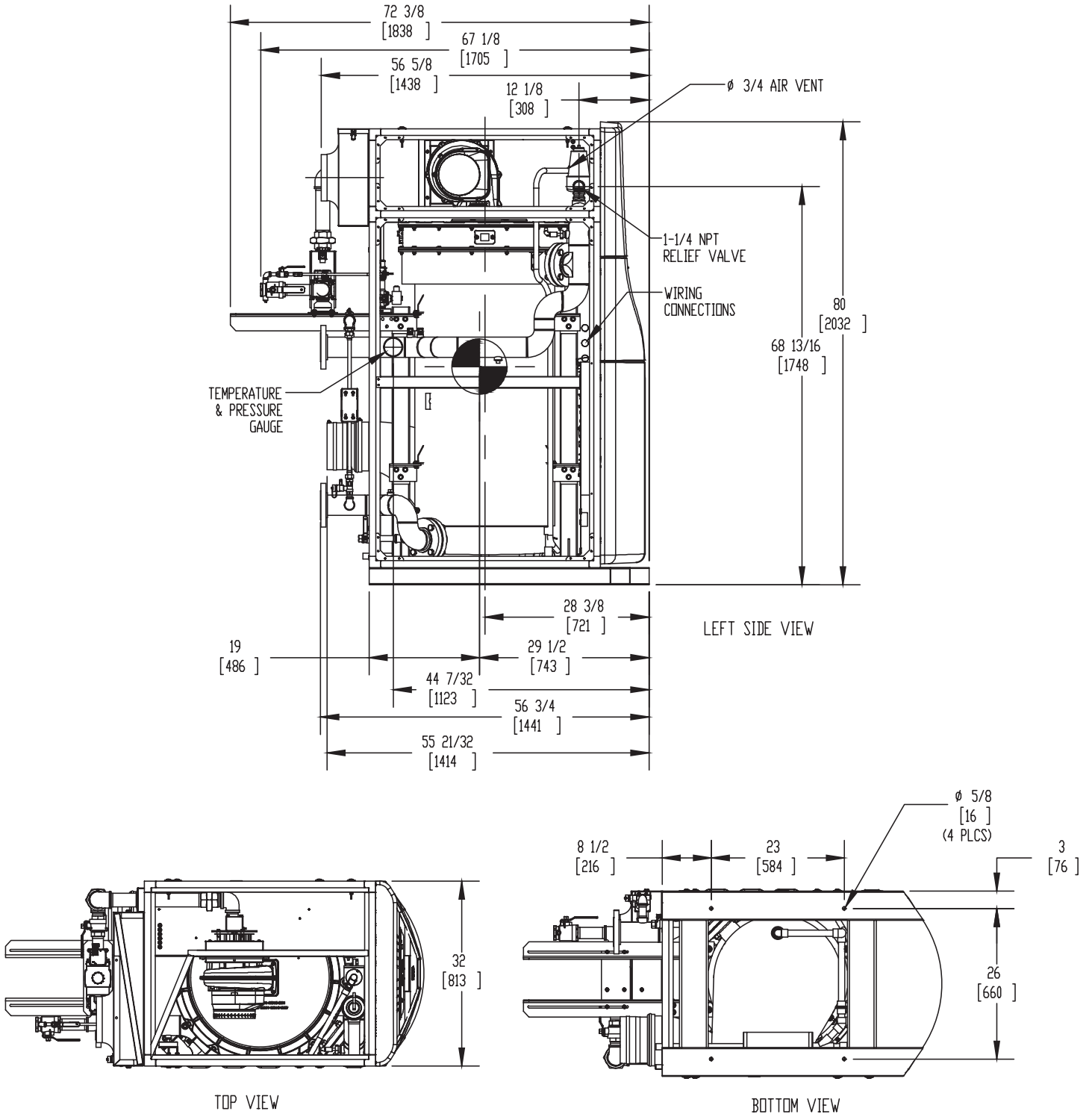
1. Dimensions are approximate and should not be used to "rough-in" equipment.
2. Dimensions are subject to change without notice.
3. All dimensions are in inches (mm).
4. ● Symbol indicates center of gravity.

FlexCore 3000

Category II or Category IV Appliance
(see Installation and Operation Manual for venting information)

CODE OPTIONS

CSD-1	STANDARD
-------	----------



Notes:

1. Dimensions are approximate and should not be used to "rough-in" equipment.
2. Dimensions are subject to change without notice.
3. All dimensions are in inches (mm).
4. ● Symbol indicates center of gravity.

BOILER CERTIFIED RATINGS & CAPACITIES

Fuel Type	Natural Gas	Boiler FLA	10.3*
Input BTU/hr.	3,000,000 / 879 KW	Boiler HP	86.8
Output BTU/hr.	2,904,000 / 851KW	Min. Gas Pressure Required	3" W.C.
Electrical Requirements	230 VAC/60 Hz/3PH	Max. Gas Pressure Allowed	14" W.C.
		Operating Weight	2425 lbs / 1100 kg

BOILER TRIM & CONTROLS

Main Gas Valve	Dungs MBC	Air Switch	Huba
Firing Valve	1 1/2" Apollo	Flow Sensor	SIKA
Ignition Control	Honeywell RM7895C	Blocked Flue Switch	Cleveland NS2
Operating Control	HeatNet®	Blower Motor	Ametek
High Limit	Jumo	L.W.C.O.	800
Main Ball Valve	1 1/2" Apollo	Relief Valve	1-1/4" x 1-1/2" set @ 50 psi
Pilot Cock	1/4"	Pilot Regulator	White-Rodgers

A.S.M.E.

ASME Sect IV Fire Side Htg Surface	235 Sq. Ft. / 21.8 Sq. M.	Design Data	Max. 160 psig & 210°F
ASME Sect IV Water Side Htg Surface	244 Sq. Ft. / 22.6 Sq. M.	Water Volume	56 gal / 210 liters
CV. GPM (1PSID)	132		

* Add circulator amps.

BOILER TEMPERATURE RISE / PRESSURE DROP (Based on Full Input)

20°F / 11.1°C				40°F / 22.2°C				60°F / 33.3°C				80°F / 44.4°C				100°F / 55.5°C			
Flow Rate		Pressure Drop		Flow Rate		Pressure Drop		Flow Rate		Pressure Drop		Flow Rate		Pressure Drop		Flow Rate		Pressure Drop	
GPM	L/s	Ft	kPa	GPM	L/s	Ft	kPa	GPM	L/s	Ft	kPa	GPM	L/s	Ft	kPa	GPM	L/s	Ft	kPa
290.5	18.3	11.2	33.4	145.3	9.1	2.8	8.4	96.8	6.1	1.2	3.5	72.6	4.5	.7	2.0	58.1	3.6	.4	1.1

Flow GPM				Temp. Rise** (°F)				Vent Length (Equiv. Ft.)				Air Inlet Length (Equiv. Ft.)			
Min		Max		Min		Max		Min		Max		Min		Max	
58.1		290.5		20		100		6		100		0		100	

** Min/Max delta t reflects boiler operation at full input. For applications requiring operation above/below these parameters please consult factory.

REP FIRM	_____
SUBMITTED BY	_____
JOB NAME	_____
ARCHITECT	_____
ENGINEER	_____
CONTRACTOR	_____
DATE	_____

FlexCore 3000

Category II or Category IV Appliance
(see Installation and Operation Manual for venting information)



A Division of Mestek, Inc.
Westfield, MA 01085
(413) 564-5515

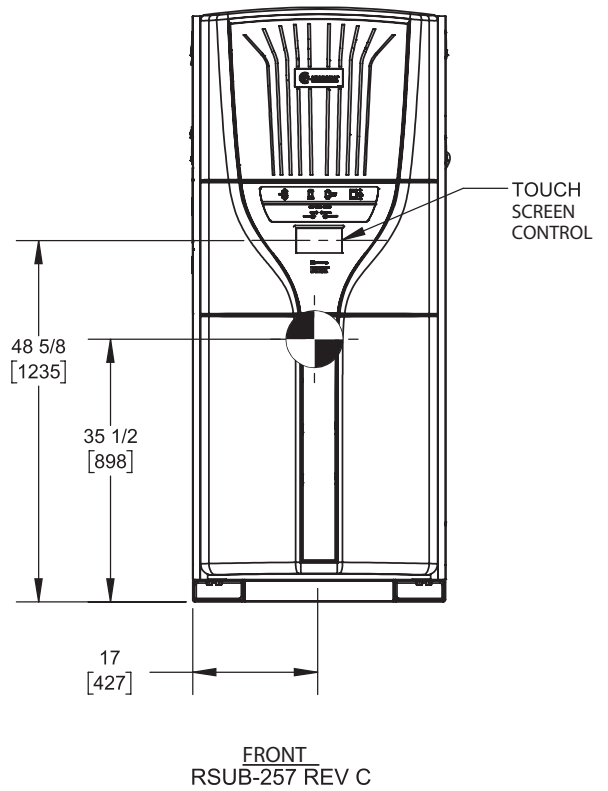
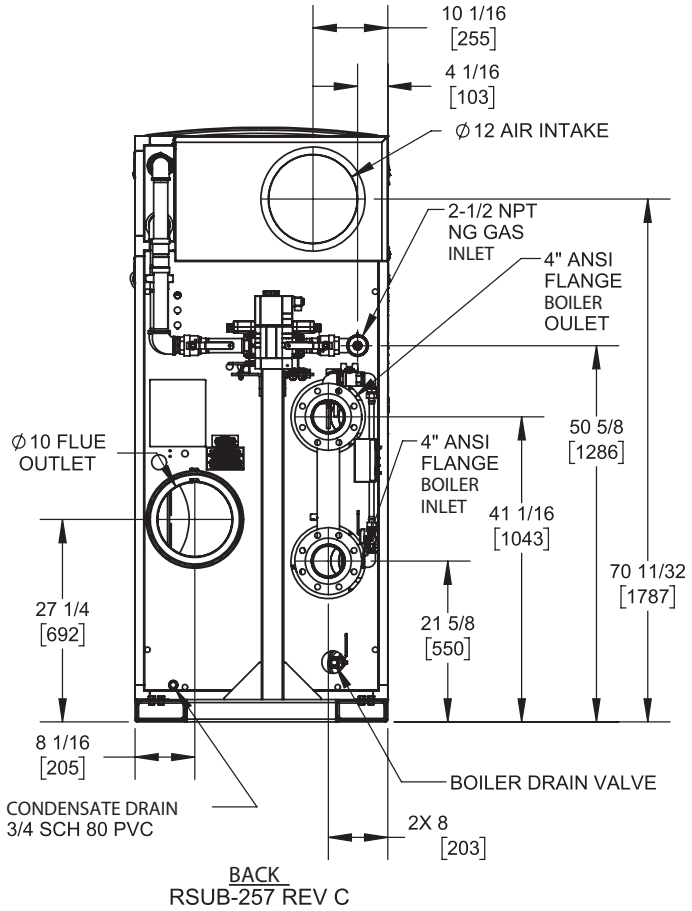
FlexCore 3500

Category II or Category IV Appliance


(see Installation and Operation Manual for venting information)

CODE OPTIONS

CSD-1	STANDARD
-------	----------



Notes:

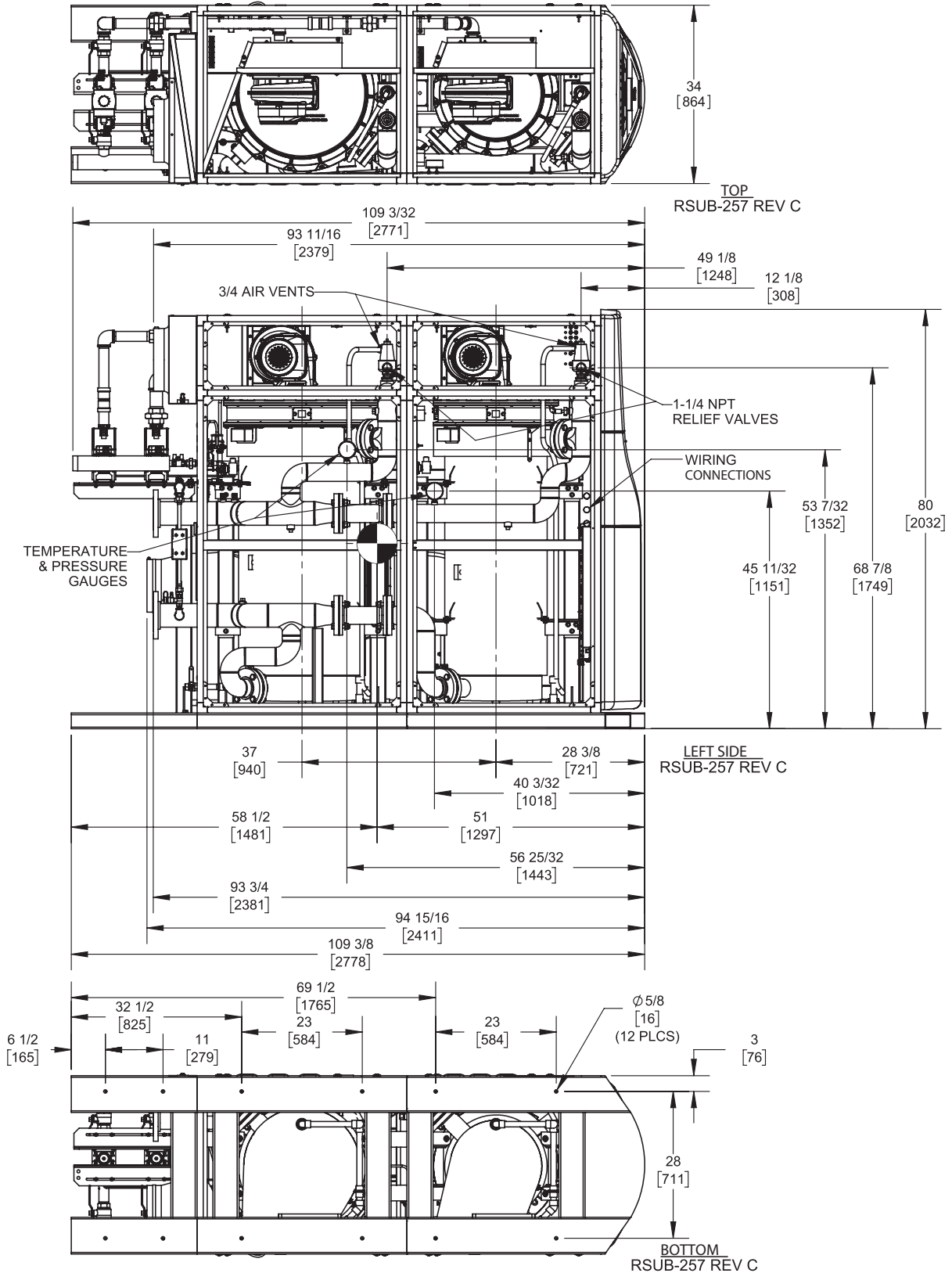
1. Dimensions are approximate and should not be used to "rough-in" equipment.
2. Dimensions are subject to change without notice.
3. All dimensions are in inches (mm).
4.  Symbol indicates center of gravity.

FlexCore 3500

Category II or Category IV Appliance
(see Installation and Operation Manual for venting information)

CODE OPTIONS

CSD-1	STANDARD
-------	----------



Notes:

1. Dimensions are approximate and should not be used to "rough-in" equipment.
2. Dimensions are subject to change without notice.
3. All dimensions are in inches (mm).
4. ● Symbol indicates center of gravity.

BOILER CERTIFIED RATINGS & CAPACITIES

Fuel Type	Natural Gas	Boiler FLA	20.6*
Input BTU/hr.	3,499,000 / 1025 KW	Boiler HP	99.4
Output BTU/hr.	3,327,549 MBH / 975 KW	Min. Gas Pressure Required	3" W.C.
Electrical Requirements	230 VAC/60 Hz/3PH	Max. Gas Pressure Allowed	14" W.C.
		Operating Weight	4070 lbs / 1846 kg

BOILER TRIM & CONTROLS

Main Gas Valve	Dungs MBC	Air Switch	Huba
Firing Valve	1 1/2" Apollo	Flow Sensor	SIKA
Ignition Control	Honeywell RM7895C	Blocked Flue Switch	Cleveland NS2
Operating Control	HeatNet®	Blower Motor	Ametek
High Limit	Jumo	L.W.C.O.	800
Main Ball Valve	1 1/2" Apollo	Relief Valve (2)	1" x 1-1/4" set @ 50 psi
Pilot Cock	1/4"	Pilot Regulator	White-Rodgers

A.S.M.E.

ASME Sect IV Fire Side Htg Surface	292 Sq. Ft. / 21.7 Sq. M.	Design Data	Max. 160 psig & 210°F
ASME Sect IV Water Side Htg Surface	306 Sq. Ft. / 28.5 Sq. M.	Water Volume	102 gal / 385 liters
CV. GPM (1PSID)	165		

* Add circulator amps.

BOILER TEMPERATURE RISE / PRESSURE DROP (Based on Full Input)

20°F / 11.1°C		40°F / 22.2°C		60°F / 33.3°C		80°F / 44.4°C		100°F / 55.5°C			
Flow Rate		Pressure Drop		Flow Rate		Pressure Drop		Flow Rate		Pressure Drop	
GPM	L/s	Ft	kPa	GPM	L/s	Ft	kPa	GPM	L/s	Ft	kPa
332.9	21.0	9.4	28.1	166.4	10.5	2.3	7.0	111.0	7.0	1.0	3.1
83.2	5.3	0.6	1.8	66.6	4.2	0.4	1.1				

Flow GPM		Temp. Rise** (°F)		Vent Length (Equiv. Ft.)		Air Inlet Length (Equiv. Ft.)	
Min	Max	Min	Max	Min	Max	Min	Max
66.6	332.9	20	100	6	100	0	100

** Min/Max delta t reflects boiler operation at full input. For applications requiring operation above/below these parameters please consult factory.

REP FIRM	_____
SUBMITTED BY	_____
JOB NAME	_____
ARCHITECT	_____
ENGINEER	_____
CONTRACTOR	_____
DATE	_____

FlexCore 3500

Category II or Category IV Appliance
(see Installation and Operation Manual for venting information)



A Division of Mestek, Inc.
Westfield, MA 01085
(413) 564-5515

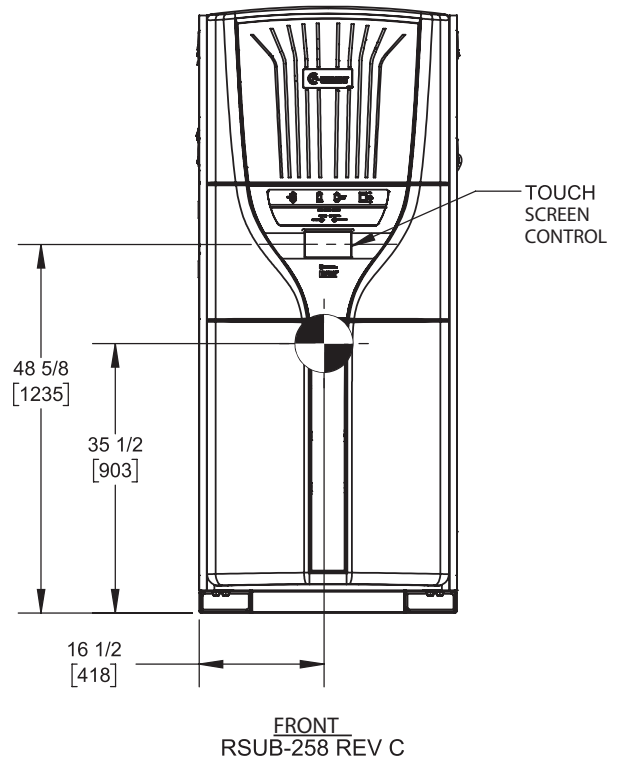
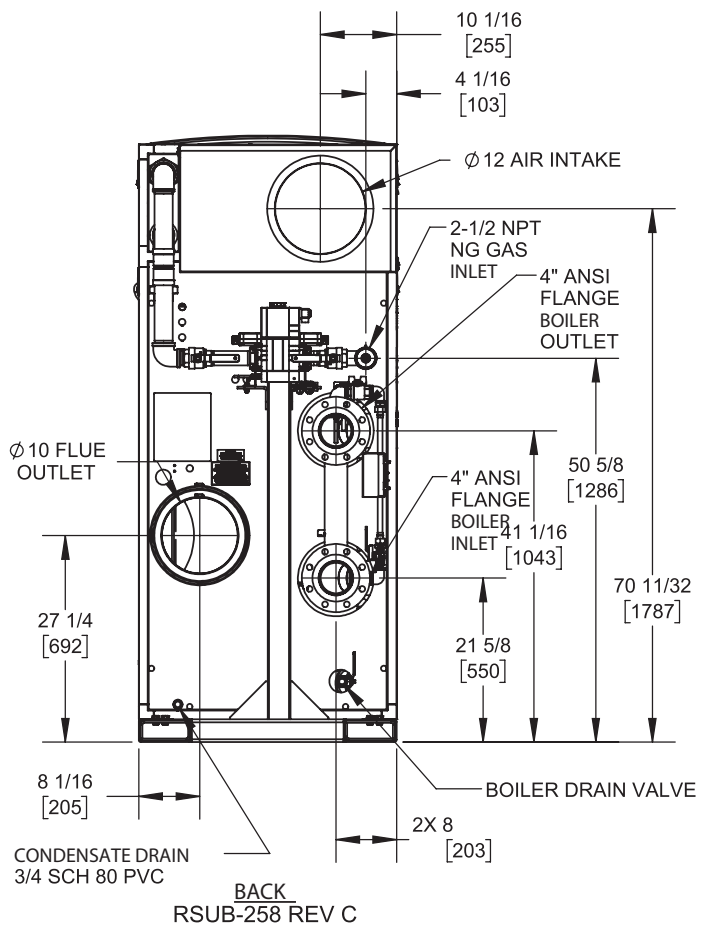
FlexCore 4000

Category II or Category IV Appliance


(see Installation and Operation Manual for venting information)

CODE OPTIONS

CSD-1	STANDARD
-------	----------



Notes:

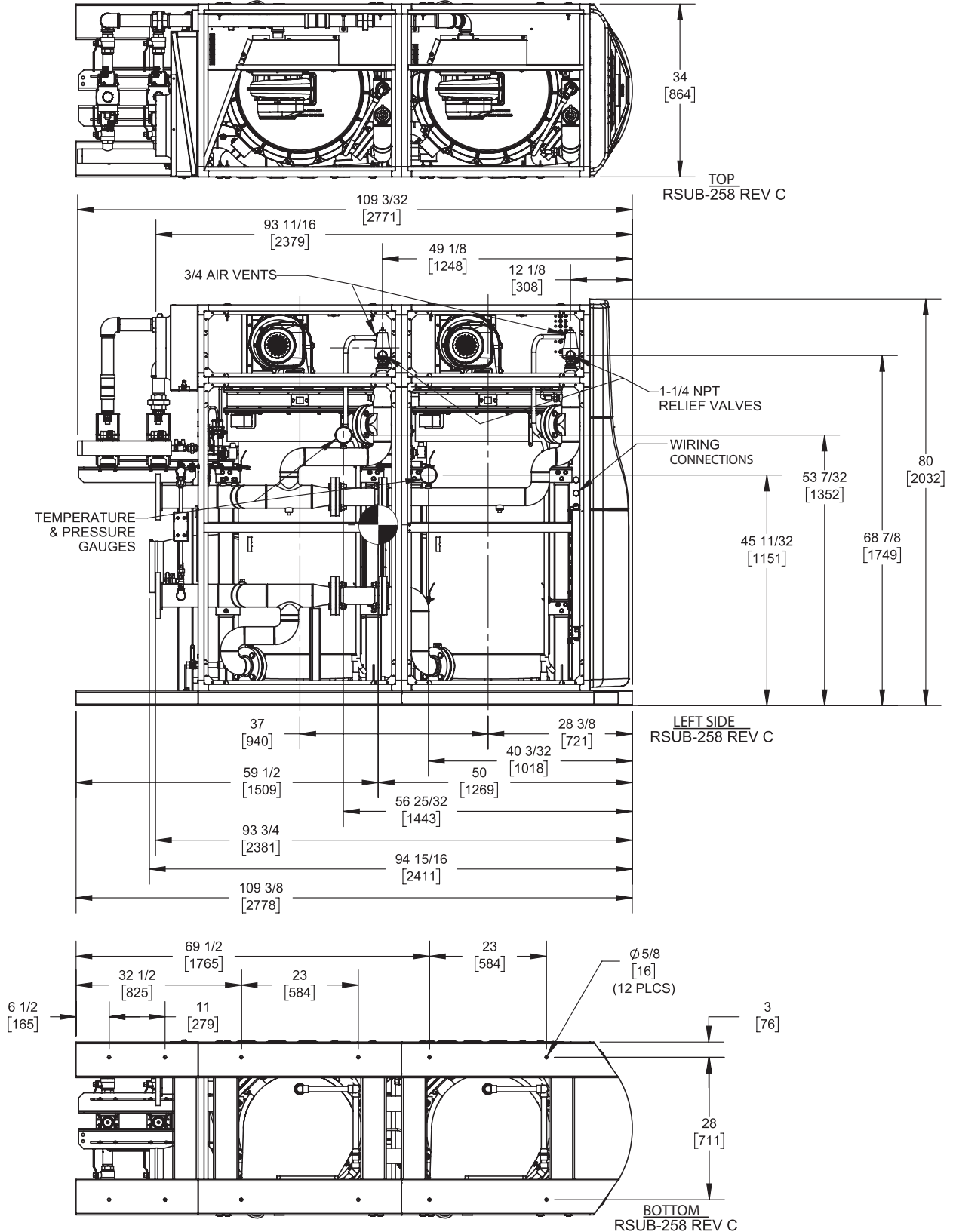
1. Dimensions are approximate and should not be used to "rough-in" equipment.
2. Dimensions are subject to change without notice.
3. All dimensions are in inches (mm).
4.  Symbol indicates center of gravity.

FlexCore 4000

Category II or Category IV Appliance
(see Installation and Operation Manual for venting information)

CODE OPTIONS

CSD-1	STANDARD
-------	----------



Notes:

1. Dimensions are approximate and should not be used to "rough-in" equipment.
2. Dimensions are subject to change without notice.
3. All dimensions are in inches (mm).
4. ● Symbol indicates center of gravity.

BOILER CERTIFIED RATINGS & CAPACITIES

Fuel Type	Natural Gas	Boiler FLA	20.6*
Input BTU/hr.	3,998,000 / 1172 KW	Boiler HP	113.6
Output BTU/hr.	3,802,098 MBH / 1114 KW	Min. Gas Pressure Required	3" W.C.
Electrical Requirements	230 VAC/60 Hz/3PH	Max. Gas Pressure Allowed	14" W.C.
		Operating Weight	4580 lbs / 2077 kg

BOILER TRIM & CONTROLS

Main Gas Valve	Dungs MBC	Air Switch	Huba
Firing Valve	1 1/2" Apollo	Flow Sensor	SIKA
Ignition Control	Honeywell RM7895C	Blocked Flue Switch	Cleveland NS2
Operating Control	HeatNet®	Blower Motor	Ametek
High Limit	Jumo	L.W.C.O.	800
Main Ball Valve	1 1/2" Apollo	Relief Valve (2)	1" x 1-1/4" set @ 50 psi
Pilot Cock	1/4"	Pilot Regulator	White-Rodgers

A.S.M.E.

ASME Sect IV Fire Side Htg Surface	336 Sq. Ft. / 31.2 Sq. M.	Design Data	Max. 160 psig & 210°F
ASME Sect IV Water Side Htg Surface	348 Sq. Ft. / 32.4 Sq. M.	Water Volume	124 gal / 468 liters
CV. GPM (1PSID)	168		

* Add circulator amps.

BOILER TEMPERATURE RISE / PRESSURE DROP (Based on Full Input)

20°F / 11.1°C		40°F / 22.2°C				60°F / 33.3°C				80°F / 44.4°C				100°F / 55.5°C					
Flow Rate		Pressure Drop		Flow Rate		Pressure Drop		Flow Rate		Pressure Drop		Flow Rate		Pressure Drop		Flow Rate		Pressure Drop	
GPM	L/s	Ft	kPa	GPM	L/s	Ft	kPa	GPM	L/s	Ft	kPa	GPM	L/s	Ft	kPa	GPM	L/s	Ft	kPa
380.4	24.0	11.8	35.4	190.2	12.0	3.0	8.8	126.8	8.0	1.3	3.9	95.1	6.0	0.7	2.2	76.1	4.8	0.5	1.4

Flow GPM		Temp. Rise** (°F)		Vent Length (Equiv. Ft.)		Air Inlet Length (Equiv. Ft.)	
Min	Max	Min	Max	Min	Max	Min	Max
76.1	380.4	20	100	6	100	0	100

** Min/Max delta t reflects boiler operation at full input. For applications requiring operation above/below these parameters please consult factory.

REP FIRM	_____
SUBMITTED BY	_____
JOB NAME	_____
ARCHITECT	_____
ENGINEER	_____
CONTRACTOR	_____
DATE	_____

FlexCore 4000

Category II or Category IV Appliance
(see Installation and Operation Manual for venting information)



A Division of Mestek, Inc.
Westfield, MA 01085
(413) 564-5515

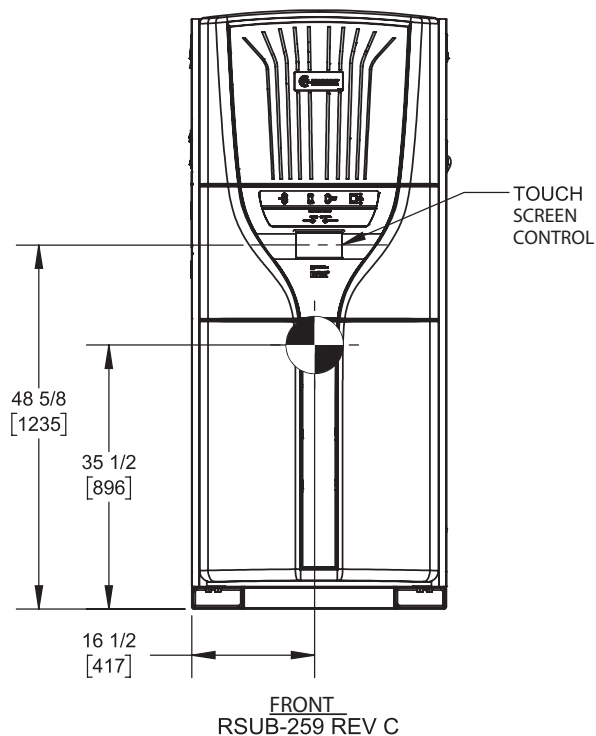
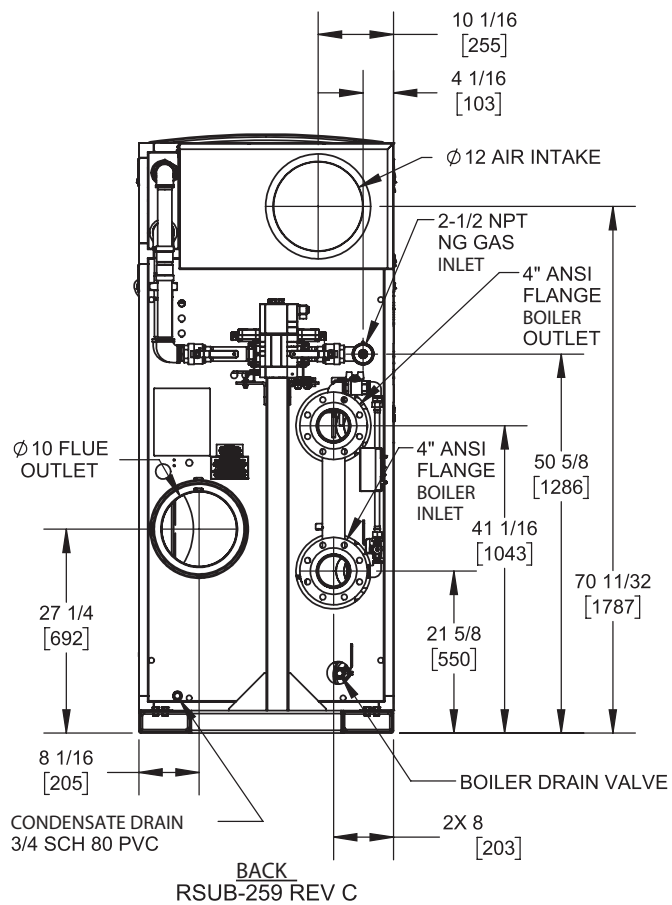
FlexCore 4500

Category II or Category IV Appliance


(see Installation and Operation Manual for venting information)

CODE OPTIONS

CSD-1	STANDARD
-------	----------



Notes:

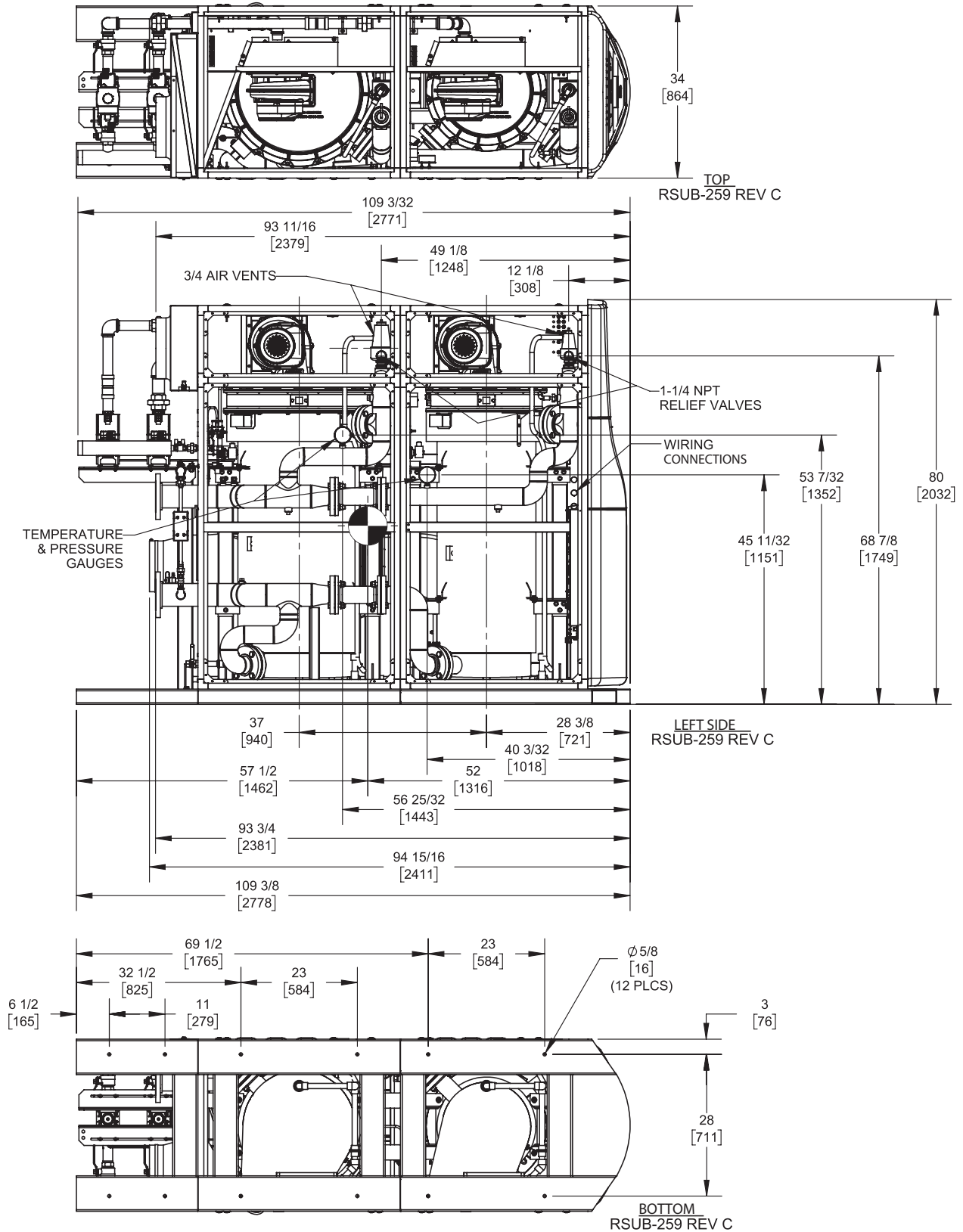
1. Dimensions are approximate and should not be used to "rough-in" equipment.
2. Dimensions are subject to change without notice.
3. All dimensions are in inches (mm).
4.  Symbol indicates center of gravity.

FlexCore 4500

Category II or Category IV Appliance
(see Installation and Operation Manual for venting information)

CODE OPTIONS

CSD-1	STANDARD
-------	----------



Notes:

1. Dimensions are approximate and should not be used to "rough-in" equipment.
2. Dimensions are subject to change without notice.
3. All dimensions are in inches (mm).
4. ● Symbol indicates center of gravity.

BOILER CERTIFIED RATINGS & CAPACITIES

Fuel Type	Natural Gas	Boiler FLA	20.6*
Input BTU/hr.	4,500,000 / 1319 KW	Boiler HP	129.3
Output BTU/hr.	4,329,000 MBH / 1269 KW	Min. Gas Pressure Required	3" W.C.
Electrical Requirements	230 VAC/60 Hz/3PH	Max. Gas Pressure Allowed	14" W.C.
		Operating Weight	4200 lbs / 1905 kg

BOILER TRIM & CONTROLS

Main Gas Valve	Dungs MBC	Air Switch	Huba
Firing Valve	1 1/2" Apollo	Flow Sensor	SIKA
Ignition Control	Honeywell RM7895C	Blocked Flue Switch	Cleveland NS2
Operating Control	HeatNet®	Blower Motor	Ametek
High Limit	Jumo	L.W.C.O.	800
Main Ball Valve	1 1/2" Apollo	Relief Valve (2)	1" x 1-1/4" set @ 50 psi
Pilot Cock	1/4"		1-1/4" x 1-1/2" set @ 50 psi
		Pilot Regulator	White-Rodgers

A.S.M.E.

ASME Sect IV Fire Side Htg Surface	359 Sq. Ft. / 33.3 Sq. M.	Design Data	Max. 160 psig & 210°F
		Water Volume	96 gal / 363 liters
ASME Sect IV Water Side Htg Surface	376 Sq. Ft. / 34.9 Sq. M.		
CV. GPM (1PSID)	155		

* Add circulator amps.

BOILER TEMPERATURE RISE / PRESSURE DROP (Based on Full Input)

20°F / 11.1°C				40°F / 22.2°C				60°F / 33.3°C				80°F / 44.4°C				100°F / 55.5°C			
Flow Rate		Pressure Drop		Flow Rate		Pressure Drop		Flow Rate		Pressure Drop		Flow Rate		Pressure Drop		Flow Rate		Pressure Drop	
GPM	L/s	Ft	kPa	GPM	L/s	Ft	kPa	GPM	L/s	Ft	kPa	GPM	L/s	Ft	kPa	GPM	L/s	Ft	kPa
433.1	27.3	18.0	53.8	216.5	13.7	4.5	13.5	144.4	9.1	2.0	6.0	108.3	6.8	1.1	3.4	86.6	5.5	0.7	2.2

Flow GPM				Temp. Rise** (°F)				Vent Length (Equiv. Ft.)				Air Inlet Length (Equiv. Ft.)			
Min		Max		Min		Max		Min		Max		Min		Max	
86.6		433.1		20		100		6		100		0		100	

** Min/Max delta t reflects boiler operation at full input. For applications requiring operation above/below these parameters please consult factory.

REP FIRM	_____
SUBMITTED BY	_____
JOB NAME	_____
ARCHITECT	_____
ENGINEER	_____
CONTRACTOR	_____
DATE	_____

FlexCore 4500

Category II or Category IV Appliance
(see Installation and Operation Manual for venting information)



A Division of Mestek, Inc.
Westfield, MA 01085
(413) 564-5515

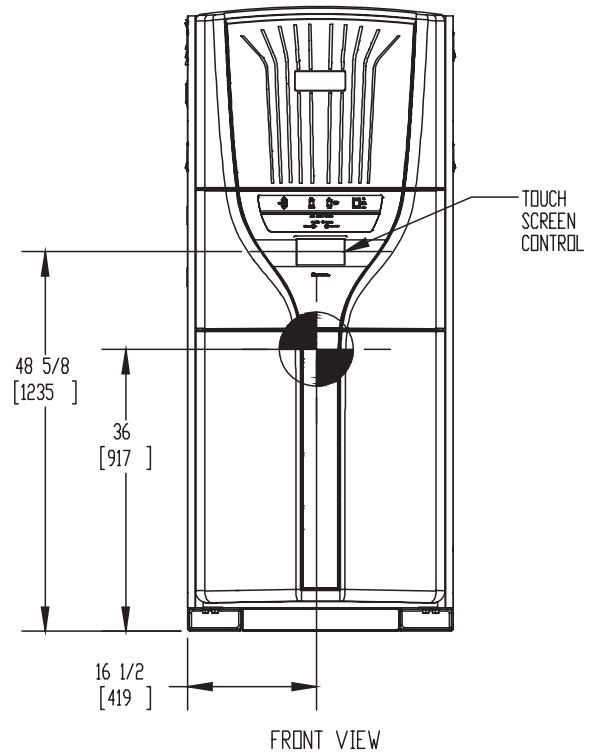
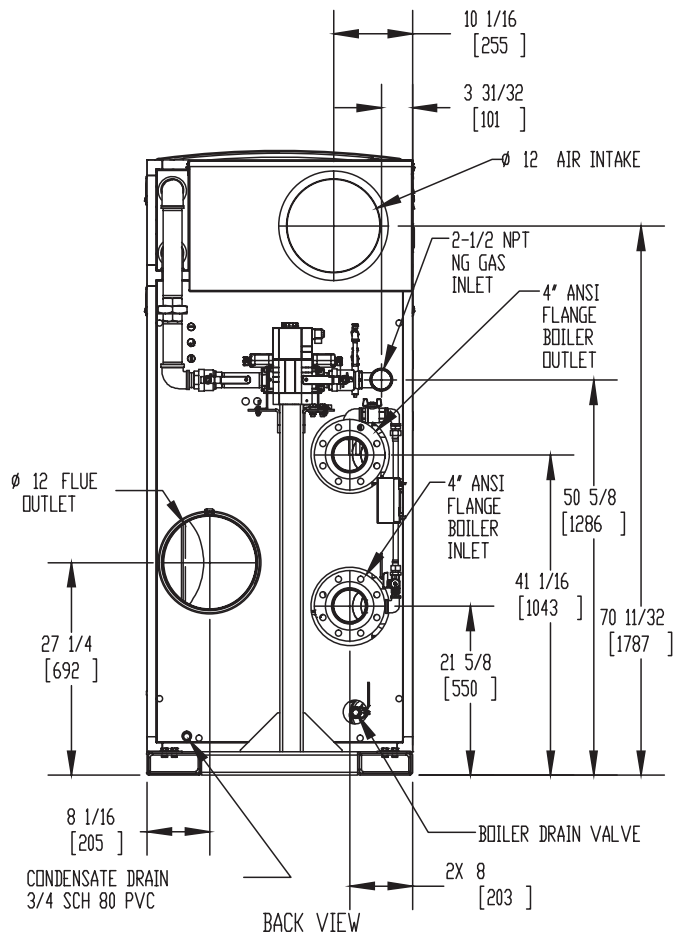
FlexCore 5000

Category II or Category IV Appliance

(see Installation and Operation Manual for venting information)

CODE OPTIONS

CSD-1	STANDARD
-------	----------



Notes:

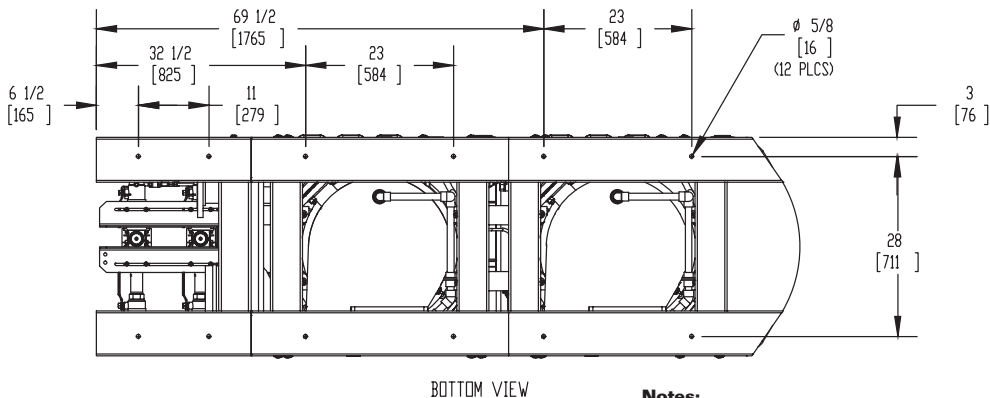
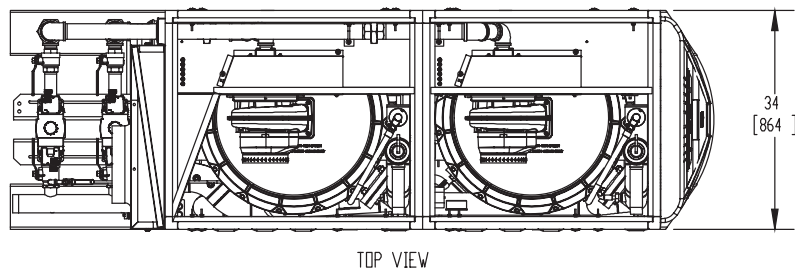
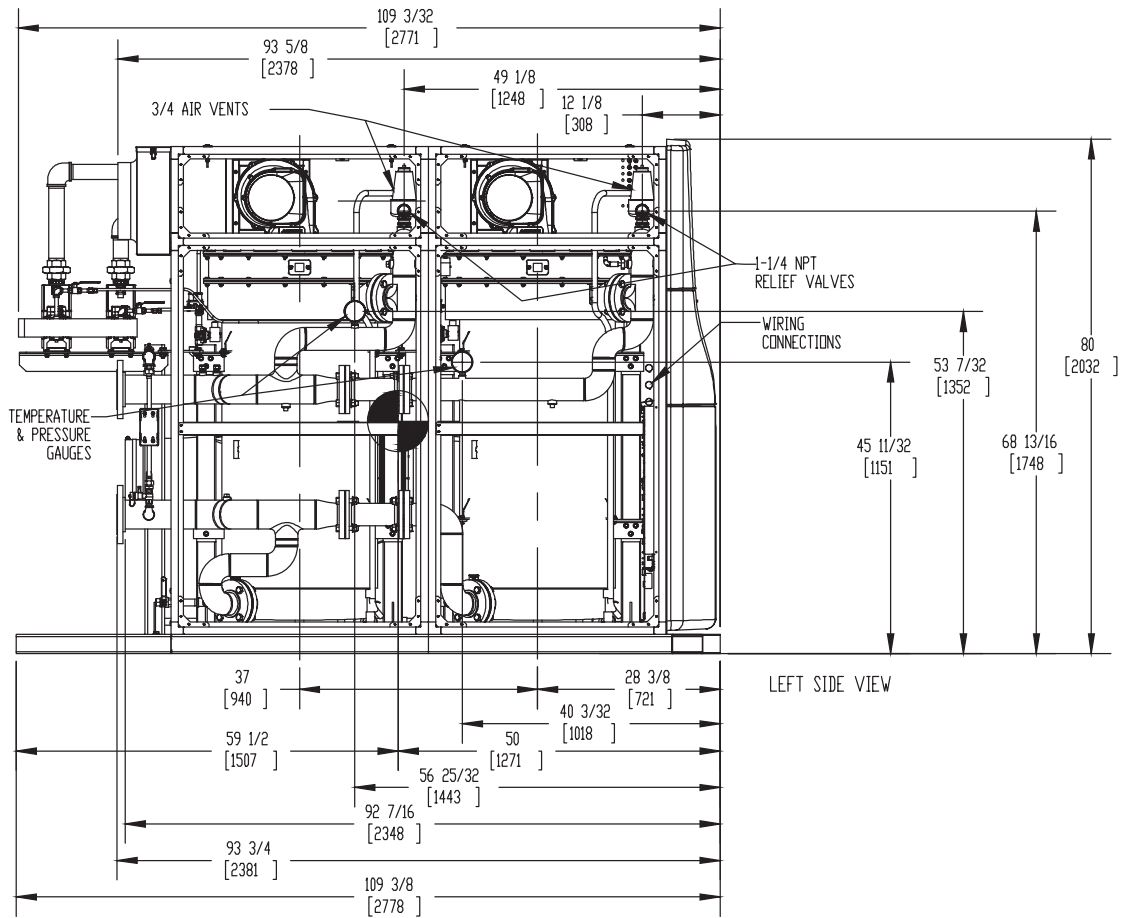
1. Dimensions are approximate and should not be used to "rough-in" equipment.
2. Dimensions are subject to change without notice.
3. All dimensions are in inches (mm).
4. ● Symbol indicates center of gravity.

FlexCore 5000

Category II or Category IV Appliance
(see Installation and Operation Manual for venting information)

CODE OPTIONS

CSD-1	STANDARD
-------	----------



Notes:

1. Dimensions are approximate and should not be used to "rough-in" equipment.
2. Dimensions are subject to change without notice.
3. All dimensions are in inches (mm).
4. ● Symbol indicates center of gravity.

BOILER CERTIFIED RATINGS & CAPACITIES

Fuel Type	Natural Gas	Boiler FLA	20.6*
Input BTU/hr.	5,000,000 / 1465 KW	Boiler HP	143.2
Output BTU/hr.	4,795,000 / 1405 KW	Min. Gas Pressure Required	3" W.C.
Electrical Requirements	230 VAC/60 Hz/3PH	Max. Gas Pressure Allowed	14" W.C.
		Operating Weight	4685 lbs / 2125 kg

BOILER TRIM & CONTROLS

Main Gas Valve	Dungs MBC	Air Switch	Huba
Firing Valve	1 1/2" Apollo	Flow Sensor	SIKA
Ignition Control	Honeywell RM7895C	Blocked Flue Switch	Cleveland NS2
Operating Control	HeatNet®	Blower Motor	Ametek
High Limit	Jumo	L.W.C.O.	800
Main Ball Valve	1 1/2" Apollo	Relief Valve (2)	1-1/4" x 1-1/4" set @ 50 psi
Pilot Cock	1/4"	Pilot Regulator	White-Rodgers

A.S.M.E.

ASME Sect IV Fire Side Htg Surface	404 Sq. Ft. / 37.6 Sq. M.	Design Data	Max. 160 psig & 210°F
ASME Sect IV Water Side Htg Surface	422 Sq. Ft. / 39.2 Sq. M.	Water Volume	116 gal. / 438 Liters
CV. GPM (1PSID)	166		

* Add circulator amps.

BOILER TEMPERATURE RISE / PRESSURE DROP (Based on Full Input)

20°F / 11.1°C		40°F / 22.2°C				60°F / 33.3°C				80°F / 44.4°C				100°F / 55.5°C					
Flow Rate		Pressure Drop		Flow Rate		Pressure Drop		Flow Rate		Pressure Drop		Flow Rate		Pressure Drop		Flow Rate		Pressure Drop	
GPM	L/s	Ft	kPa	GPM	L/s	Ft	kPa	GPM	L/s	Ft	kPa	GPM	L/s	Ft	kPa	GPM	L/s	Ft	kPa
479.7	30.3	19.3	57.6	239.8	15.1	4.8	14.4	159.9	10.1	2.1	6.4	119.9	7.6	1.2	3.6	95.9	6.1	0.8	2.3

Flow GPM		Temp. Rise** (°F)		Vent Length (Equiv. Ft.)		Air Inlet Length (Equiv. Ft.)	
Min	Max	Min	Max	Min	Max	Min	Max
95.9	479.7	20	100	6	100	0	100

** Min/Max delta t reflects boiler operation at full input. For applications requiring operation above/below these parameters please consult factory.

REP FIRM	_____
SUBMITTED BY	_____
JOB NAME	_____
ARCHITECT	_____
ENGINEER	_____
CONTRACTOR	_____
DATE	_____

FlexCore 5000

Category II or Category IV Appliance
(see Installation and Operation Manual for venting information)



A Division of Mestek, Inc.
Westfield, MA 01085
(413) 564-5515

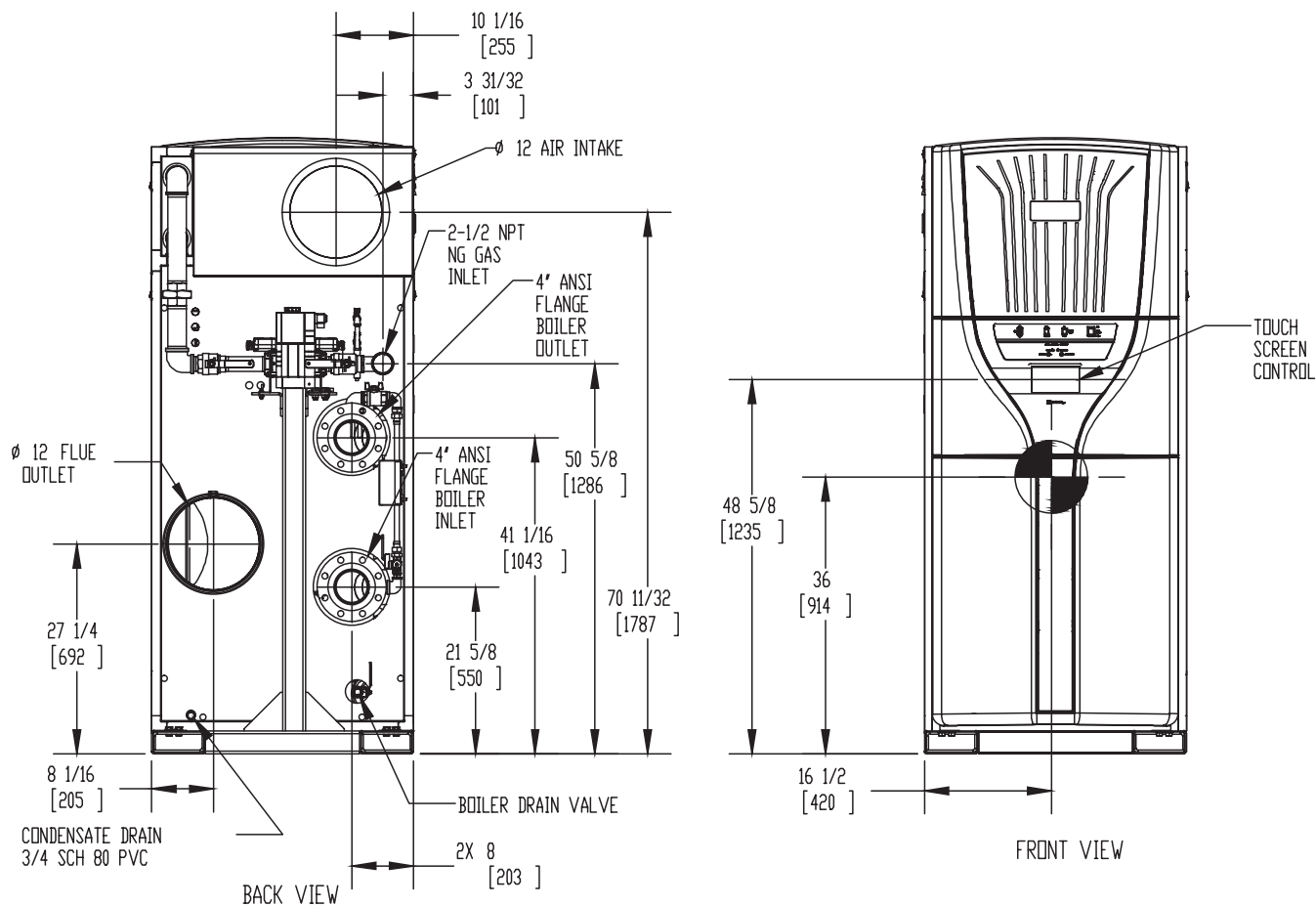
FlexCore 6000

Category II or Category IV Appliance

(see Installation and Operation Manual for venting information)

CODE OPTIONS

CSD-1	STANDARD
-------	----------



Notes:

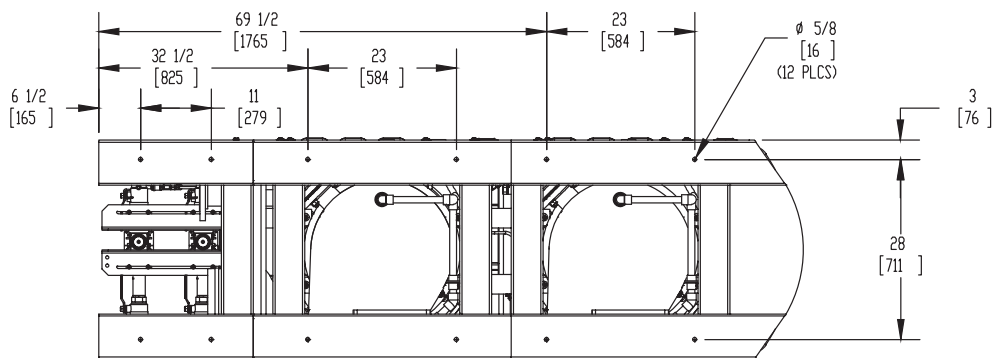
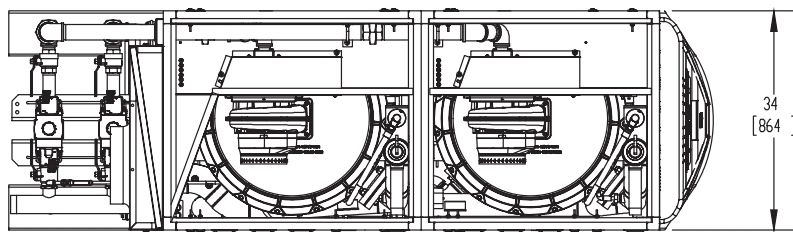
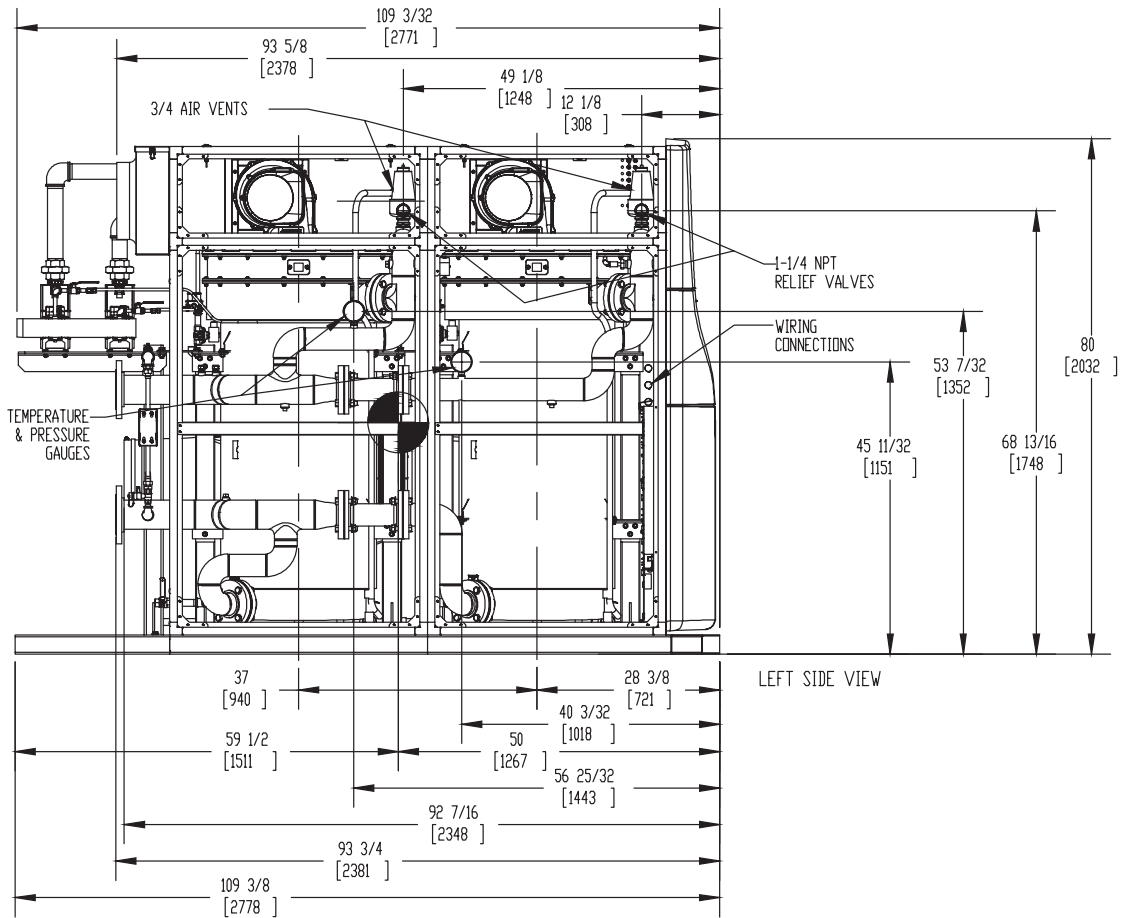
1. Dimensions are approximate and should not be used to "rough-in" equipment.
2. Dimensions are subject to change without notice.
3. All dimensions are in inches (mm).
4. ● Symbol indicates center of gravity.

FlexCore 6000

Category II or Category IV Appliance
(see Installation and Operation Manual for venting information)

CODE OPTIONS

CSD-1	STANDARD
-------	----------



Notes:

1. Dimensions are approximate and should not be used to "rough-in" equipment.
2. Dimensions are subject to change without notice.
3. All dimensions are in inches (mm).
4. ● Symbol indicates center of gravity.

BOILER CERTIFIED RATINGS & CAPACITIES

Fuel Type	Natural Gas	Boiler FLA	20.6*
Input BTU/hr.	6,000,000 / 1758 KW	Boiler HP	173.5
Output BTU/hr.	5,808,000 / 1702 KW	Min. Gas Pressure Required	3" W.C.
Electrical Requirements	230 VAC/60 Hz/3PH	Max. Gas Pressure Allowed	14" W.C.
		Operating Weight	4885 lbs / 2216 kg

BOILER TRIM & CONTROLS

Main Gas Valve	Dungs MBC	Air Switch	Huba
Firing Valve	1 1/2" Apollo	Flow Sensor	SIKA
Ignition Control	Honeywell RM7895C	Blocked Flue Switch	Cleveland NS2
Operating Control	HeatNet®	Blower Motor	Ametek
High Limit	Jumo	L.W.C.O.	800
Main Ball Valve	1 1/2" Apollo	Relief Valve (2)	1-1/4" x 1-1/2" set @ 50 psi
Pilot Cock	1/4"	Pilot Regulator	White-Rodgers

A.S.M.E.

ASME Sect IV Fire Side Htg Surface	470 Sq. Ft. / 43.6 Sq. M.	Design Data	Max. 160 psig & 210°F
ASME Sect IV Water Side Htg Surface	488 Sq. Ft. / 45.2 Sq. M.	Water Volume	112 gal. / 424 Liters
CV. GPM (1PSID)	178		

* Add circulator amps.

BOILER TEMPERATURE RISE / PRESSURE DROP (Based on Full Input)

20°F / 11.1°C		40°F / 22.2°C				60°F / 33.3°C				80°F / 44.4°C				100°F / 55.5°C					
Flow Rate		Pressure Drop		Flow Rate		Pressure Drop		Flow Rate		Pressure Drop		Flow Rate		Pressure Drop		Flow Rate		Pressure Drop	
GPM	L/s	Ft	kPa	GPM	L/s	Ft	kPa	GPM	L/s	Ft	kPa	GPM	L/s	Ft	kPa	GPM	L/s	Ft	kPa
581.0	36.7	24.6	73.5	290.5	18.3	6.1	18.4	193.7	12.2	2.7	8.2	145.3	9.2	1.5	4.6	116.2	7.3	1.0	2.9

Flow GPM		Temp. Rise** (°F)		Vent Length (Equiv. Ft.)		Air Inlet Length (Equiv. Ft.)	
Min	Max	Min	Max	Min	Max	Min	Max
116.2	581.0	20	100	6	100	0	100

** Min/Max delta t reflects boiler operation at full input. For applications requiring operation above/below these parameters please consult factory.

REP FIRM	_____
SUBMITTED BY	_____
JOB NAME	_____
ARCHITECT	_____
ENGINEER	_____
CONTRACTOR	_____
DATE	_____

FlexCore 6000

Category II or Category IV Appliance
(see Installation and Operation Manual for venting information)



A Division of Mestek, Inc.
Westfield, MA 01085
(413) 564-5515

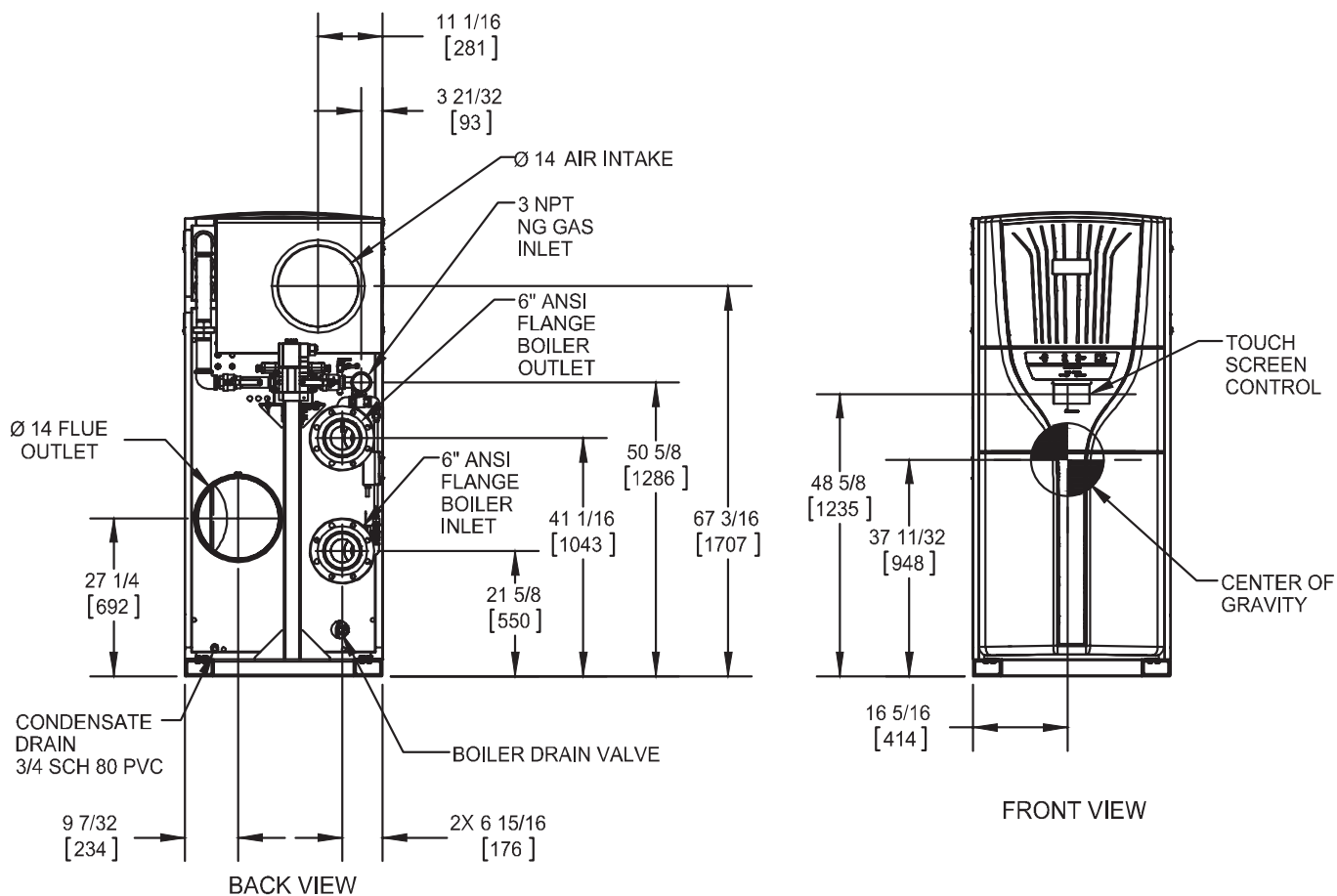
FlexCore 7000

Category II or Category IV Appliance

(see Installation and Operation Manual for venting information)

CODE OPTIONS

CSD-1	STANDARD
-------	----------



Notes:

1. Dimensions are approximate and should not be used to "rough-in" equipment.
2. Dimensions are subject to change without notice.
3. All dimensions are in inches (mm).
4. ● Symbol indicates center of gravity.

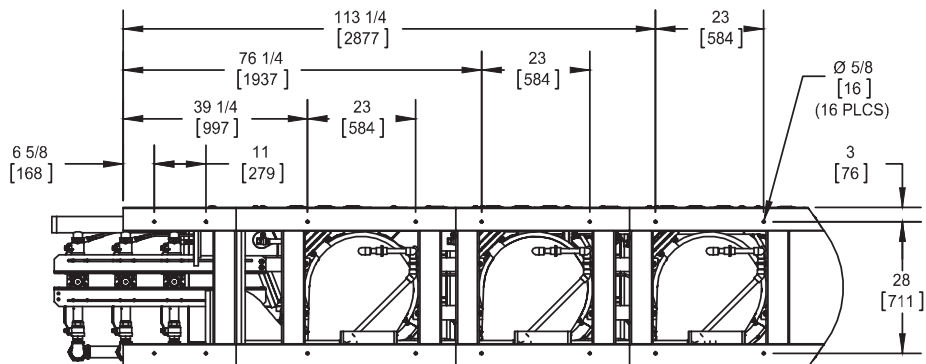
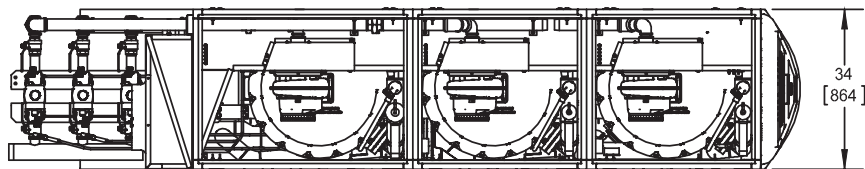
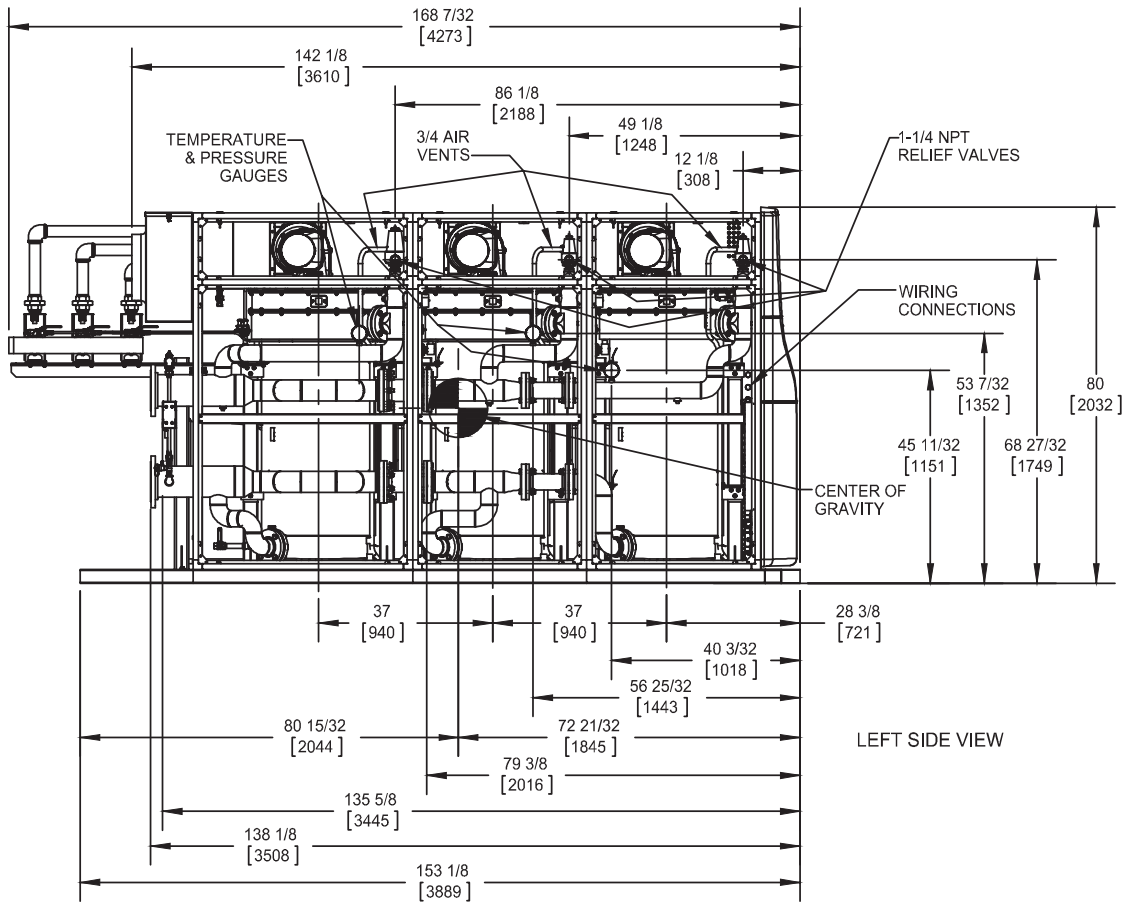
FlexCore 7000

Category II or Category IV Appliance

(see Installation and Operation Manual for venting information)

CODE OPTIONS

CSD-1	STANDARD
-------	----------



Notes:

1. Dimensions are approximate and should not be used to "rough-in" equipment.
2. Dimensions are subject to change without notice.
3. All dimensions are in inches (mm).
4. ● Symbol indicates center of gravity.

BOILER CERTIFIED RATINGS & CAPACITIES

Fuel Type	Natural Gas	Boiler FLA	30.9*
Input BTU/hr.	7,000,000 / 2051 KW	Boiler HP	200.3
Output BTU/hr.	6,706,000 / 1965 KW	Min. Gas Pressure Required	3" W.C.
Electrical Requirements	230 VAC/60 Hz/3PH	Max. Gas Pressure Allowed	14" W.C.
		Operating Weight	7030 lbs / 3189 kg

BOILER TRIM & CONTROLS

Main Gas Valve	Dungs MBC	Air Switch	Huba
Firing Valve	1 1/2" Apollo	Flow Sensor	SIKA
Ignition Control	Honeywell RM7895C	Blocked Flue Switch	Cleveland NS2
Operating Control	HeatNet®	Blower Motor	Ametek
High Limit	Jumo	L.W.C.O.	800
Main Ball Valve	1 1/2" Apollo	Relief Valve (3)	1-1/4" x 1-1/2" set @ 50 psi
Pilot Cock	1/4"	Pilot Regulator	White-Rodgers

A.S.M.E.

ASME Sect IV Fire Side Htg Surface	571 Sq. Ft. / 53.0 Sq. M.	Design Data	Max. 160 psig & 210°F
ASME Sect IV Water Side Htg Surface	592 Sq. Ft. / 55.0 Sq. M.	Water Volume	180 gal. / 681 Liters
CV. GPM (1PSID)	207		

* Add circulator amps.

BOILER TEMPERATURE RISE / PRESSURE DROP (Based on Full Input)

20°F / 11.1°C		40°F / 22.2°C				60°F / 33.3°C				80°F / 44.4°C				100°F / 55.5°C					
Flow Rate		Pressure Drop		Flow Rate		Pressure Drop		Flow Rate		Pressure Drop		Flow Rate		Pressure Drop		Flow Rate		Pressure Drop	
GPM	L/s	Ft	kPa	GPM	L/s	Ft	kPa	GPM	L/s	Ft	kPa	GPM	L/s	Ft	kPa	GPM	L/s	Ft	kPa
670.9	42.3	24.2	72.4	335.4	21.2	6.1	18.1	223.6	14.1	2.7	8.0	167.7	10.6	1.5	4.5	134.2	8.5	1.0	2.9

Flow GPM		Temp. Rise** (°F)		Vent Length (Equiv. Ft.)		Air Inlet Length (Equiv. Ft.)	
Min	Max	Min	Max	Min	Max	Min	Max
134.2	670.9	20	100	6	100	0	100

** Min/Max delta t reflects boiler operation at full input. For applications requiring operation above/below these parameters please consult factory.

REP FIRM	_____
SUBMITTED BY	_____
JOB NAME	_____
ARCHITECT	_____
ENGINEER	_____
CONTRACTOR	_____
DATE	_____

FlexCore 7000

Category II or Category IV Appliance
(see Installation and Operation Manual for venting information)



A Division of Mestek, Inc.
Westfield, MA 01085
(413) 564-5515

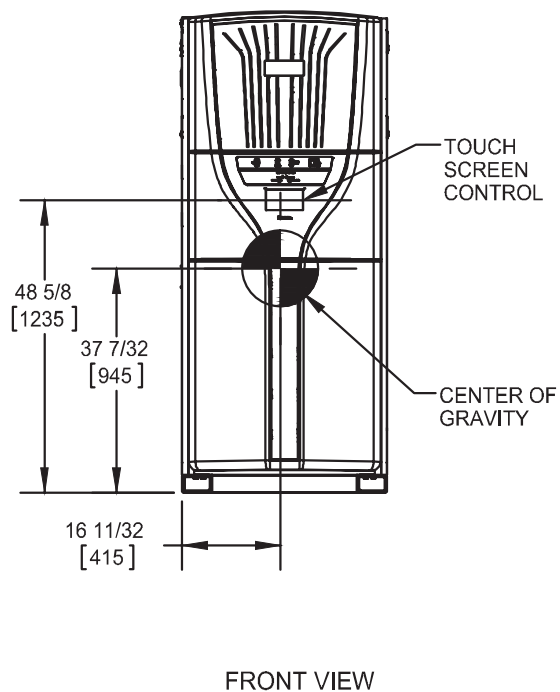
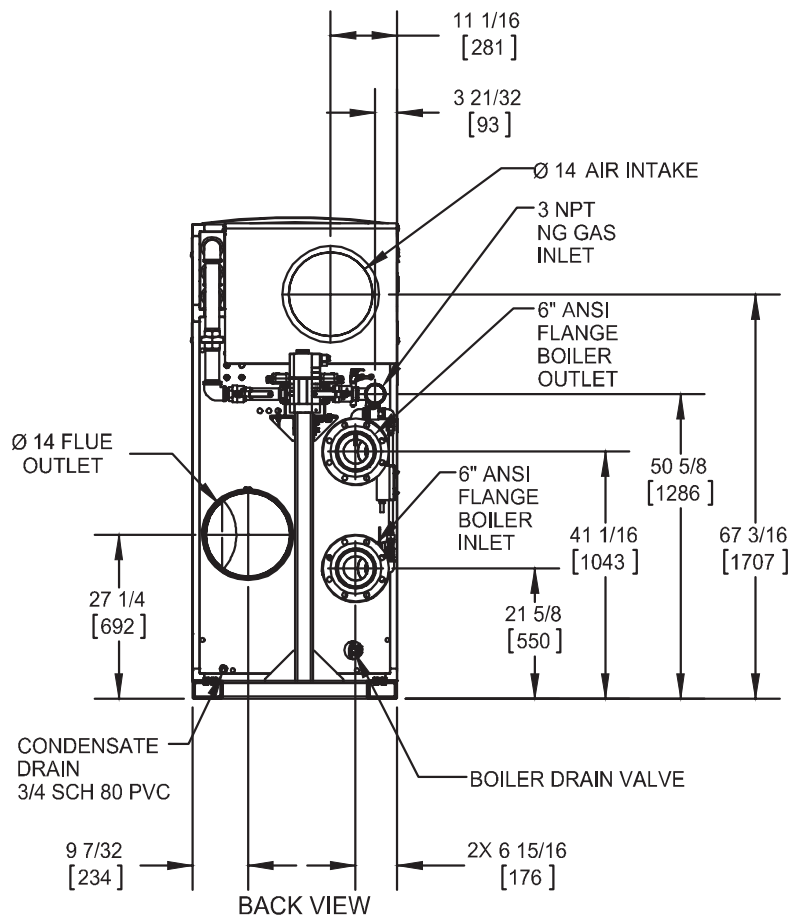
FlexCore 8000

CODE OPTIONS

CSD-1	STANDARD
-------	----------

Category II or Category IV Appliance

(see Installation and Operation Manual for venting information)



Notes:

1. Dimensions are approximate and should not be used to "rough-in" equipment.
2. Dimensions are subject to change without notice.
3. All dimensions are in inches (mm).
4. ● Symbol indicates center of gravity.

FlexCore 8000

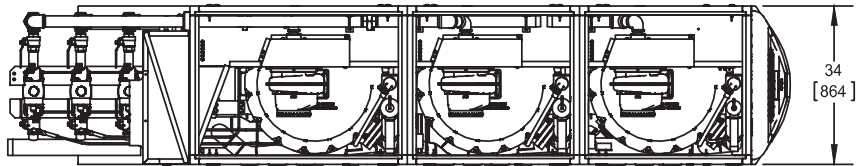
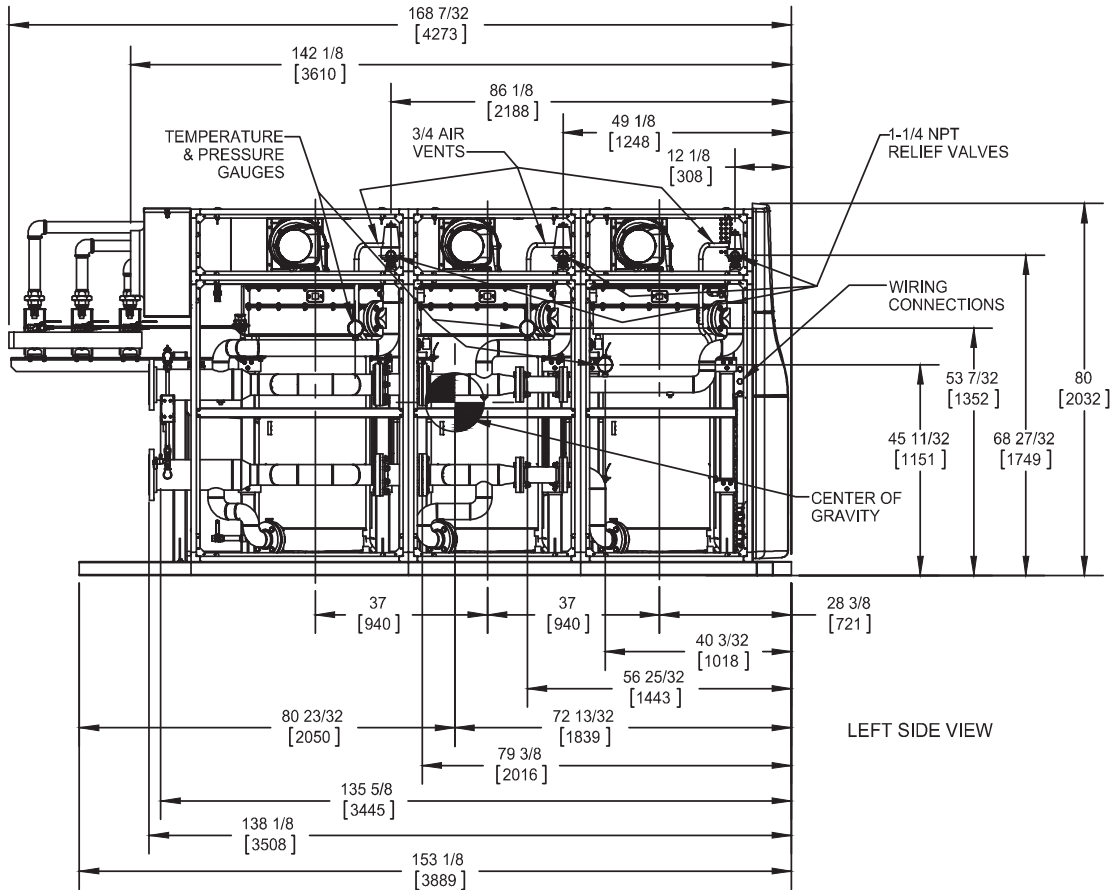
Category II or Category IV Appliance

(see Installation and Operation Manual for venting information)

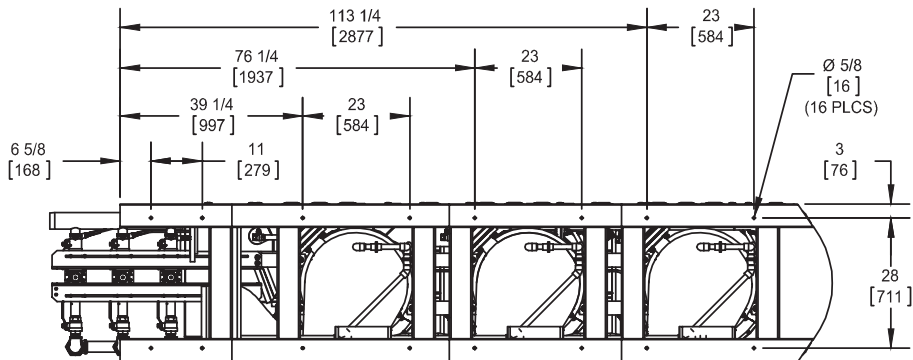
CODE OPTIONS

CSD-1

STANDARD



TOP VIEW



BOTTOM VIEW

Notes:

1. Dimensions are approximate and should not be used to "rough-in" equipment.
2. Dimensions are subject to change without notice.
3. All dimensions are in inches (mm).
4. ● Symbol indicates center of gravity.

BOILER CERTIFIED RATINGS & CAPACITIES

Fuel Type	Natural Gas	Boiler FLA	30.9*
Input BTU/hr.	8,000,000 / 2345 KW	Boiler HP	230.4
Output BTU/hr.	7,712,000 / 2260 KW	Min. Gas Pressure Required	3" W.C.
Electrical Requirements	230 VAC/60 Hz/3PH	Max. Gas Pressure Allowed	14" W.C.
		Operating Weight	7175 lbs / 3255 kg

BOILER TRIM & CONTROLS

Main Gas Valve	Dungs MBC	Air Switch	Huba
Firing Valve	1 1/2" Apollo	Flow Sensor	SIKA
Ignition Control	Honeywell RM7895C	Blocked Flue Switch	Cleveland NS2
Operating Control	HeatNet®	Blower Motor	Ametek
High Limit	Jumo	L.W.C.O.	800
Main Ball Valve	1 1/2" Apollo	Relief Valve (3)	1-1/4" x 1-1/2" set @ 50 psi
Pilot Cock	1/4"	Pilot Regulator	White-Rodgers

A.S.M.E.

ASME Sect IV Fire Side Htg Surface	638 Sq. Ft. / 59.2 Sq. M.	Design Data	Max. 160 psig & 210°F
ASME Sect IV Water Side Htg Surface	662 Sq. Ft. / 61.4 Sq. M.	Water Volume	174 gal. / 659 Liters
CV. GPM (1PSID)	209		

* Add circulator amps.

BOILER TEMPERATURE RISE / PRESSURE DROP (Based on Full Input)

20°F / 11.1°C		40°F / 22.2°C				60°F / 33.3°C				80°F / 44.4°C				100°F / 55.5°C					
Flow Rate		Pressure Drop		Flow Rate		Pressure Drop		Flow Rate		Pressure Drop		Flow Rate		Pressure Drop		Flow Rate		Pressure Drop	
GPM	L/s	Ft	kPa	GPM	L/s	Ft	kPa	GPM	L/s	Ft	kPa	GPM	L/s	Ft	kPa	GPM	L/s	Ft	kPa
771.5	48.7	31.4	94.0	385.8	24.3	7.9	23.5	257.2	16.2	3.5	10.4	192.9	12.2	2.0	5.9	154.3	9.7	1.3	3.8

Flow GPM		Temp. Rise** (°F)		Vent Length (Equiv. Ft.)		Air Inlet Length (Equiv. Ft.)	
Min	Max	Min	Max	Min	Max	Min	Max
154.3	771.5	20	100	6	100	0	100

** Min/Max delta t reflects boiler operation at full input. For applications requiring operation above/below these parameters please consult factory.

REP FIRM	_____
SUBMITTED BY	_____
JOB NAME	_____
ARCHITECT	_____
ENGINEER	_____
CONTRACTOR	_____
DATE	_____

FlexCore 8000

Category II or Category IV Appliance
(see Installation and Operation Manual for venting information)



A Division of Mestek, Inc.
Westfield, MA 01085
(413) 564-5515

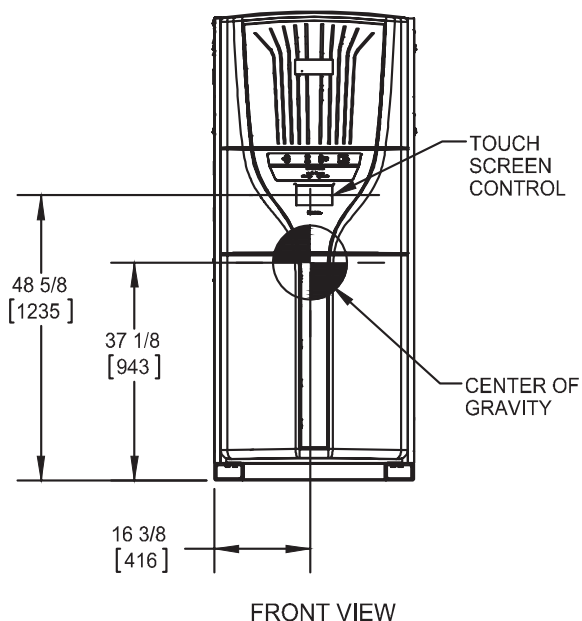
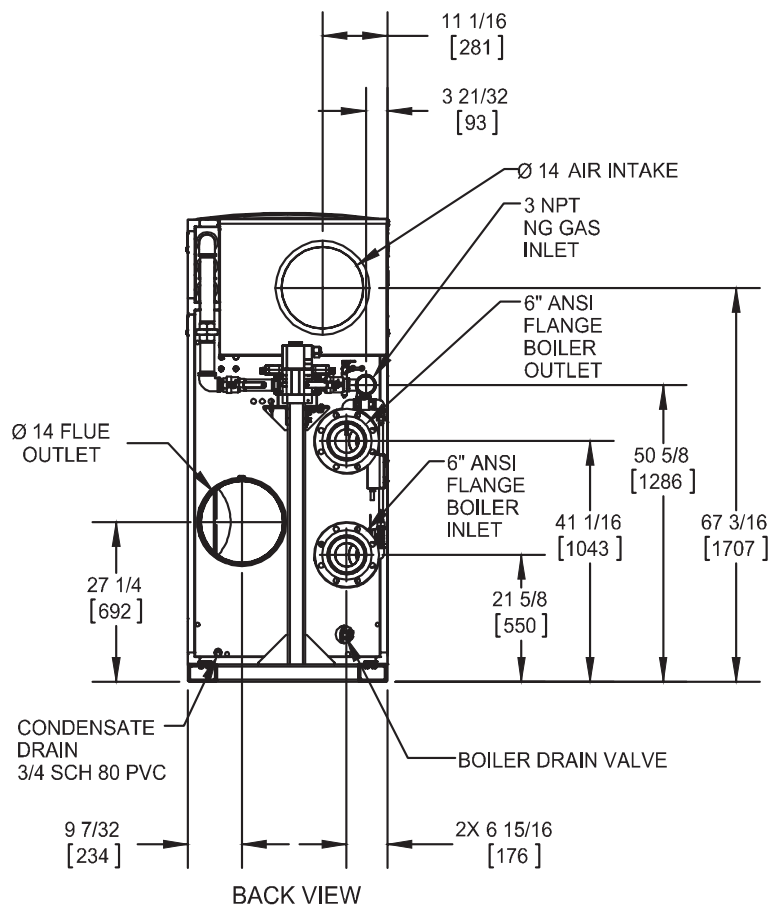
FlexCore 9000

Category II or Category IV Appliance

(see Installation and Operation Manual for venting information)

CODE OPTIONS

CSD-1	STANDARD
-------	----------



Notes:

1. Dimensions are approximate and should not be used to "rough-in" equipment.
2. Dimensions are subject to change without notice.
3. All dimensions are in inches (mm).
4. ● Symbol indicates center of gravity.

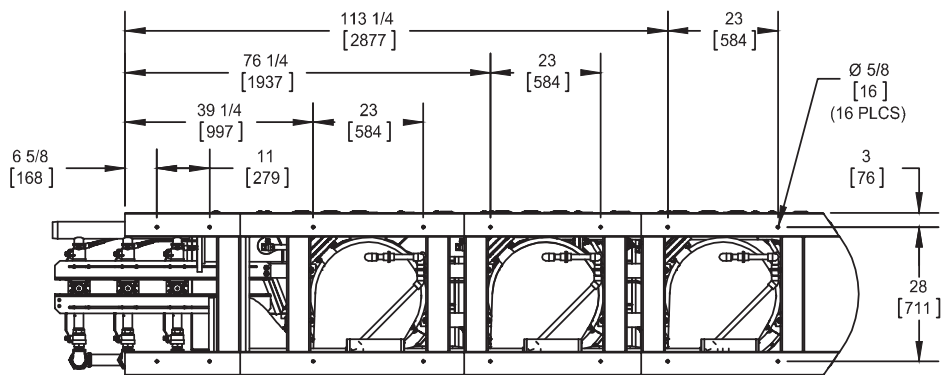
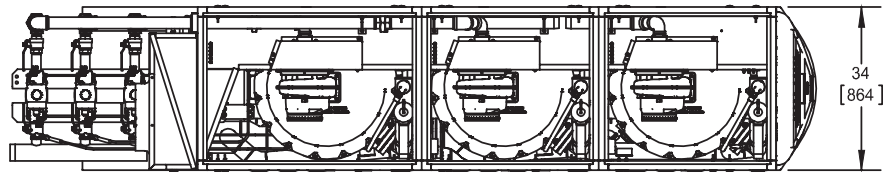
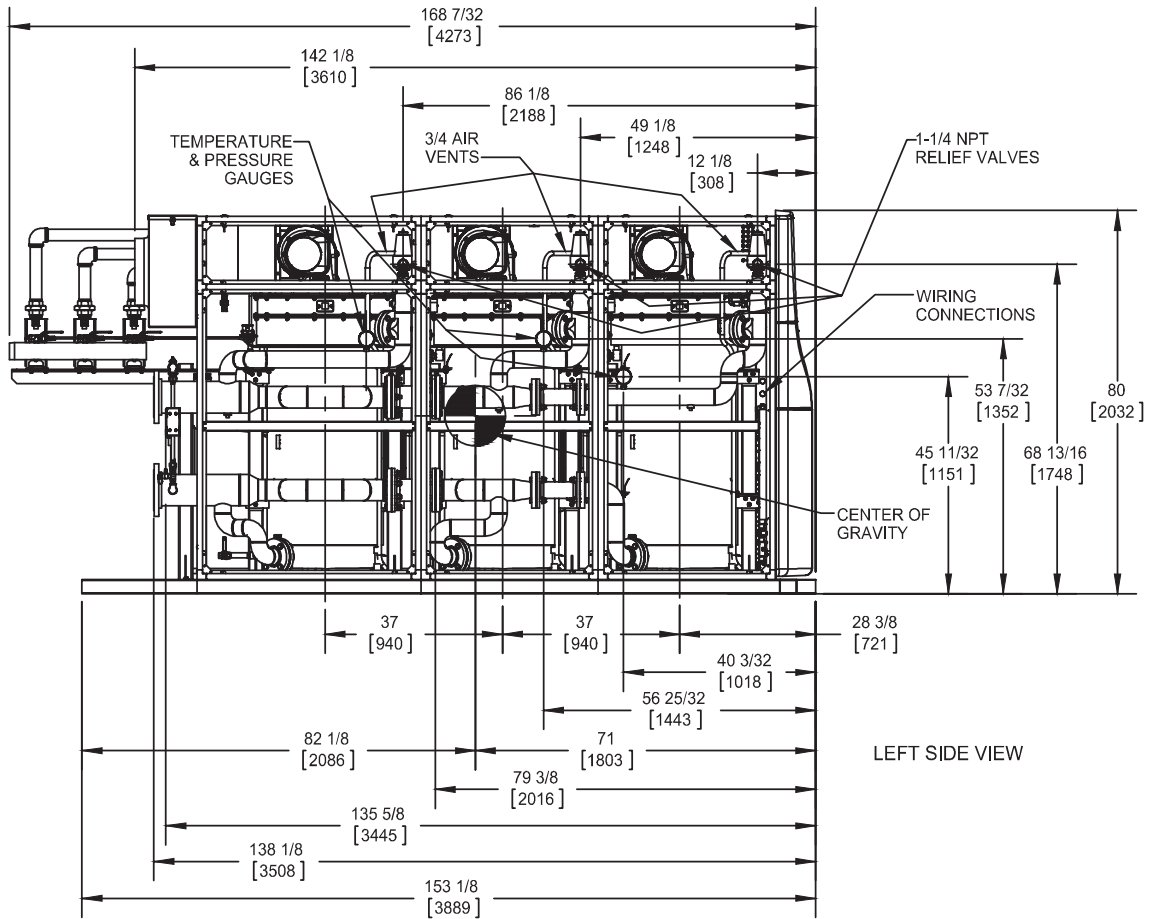
FlexCore 9000

Category II or Category IV Appliance

(see Installation and Operation Manual for venting information)

CODE OPTIONS

CSD-1	STANDARD
-------	----------



Notes:

1. Dimensions are approximate and should not be used to "rough-in" equipment.
2. Dimensions are subject to change without notice.
3. All dimensions are in inches (mm).
4. ● Symbol indicates center of gravity.

BOILER CERTIFIED RATINGS & CAPACITIES

Fuel Type	Natural Gas	Boiler FLA	30.9*
Input BTU/hr.	9,000,000 / 2638 KW	Boiler HP	260.3
Output BTU/hr.	8,712,000 / 2553 KW	Min. Gas Pressure Required	3" W.C.
Electrical Requirements	230 VAC/60 Hz/3PH	Max. Gas Pressure Allowed	14" W.C.
		Operating Weight	7340 lbs / 3329 kg

BOILER TRIM & CONTROLS

Main Gas Valve	Dungs MBC	Air Switch	Huba
Firing Valve	1 1/2" Apollo	Flow Sensor	SIKA
Ignition Control	Honeywell RM7895C	Blocked Flue Switch	Cleveland NS2
Operating Control	HeatNet®	Blower Motor	Ametek
High Limit	Jumo	L.W.C.O.	800
Main Ball Valve	1 1/2" Apollo	Relief Valve (3)	1-1/4" x 1-1/2" set @ 50 psi
Pilot Cock	1/4"	Pilot Regulator	White-Rodgers

A.S.M.E.

ASME Sect IV Fire Side Htg Surface	705 Sq. Ft. / 65.4 Sq. M.	Design Data	Max. 160 psig & 210°F
ASME Sect IV Water Side Htg Surface	732 Sq. Ft. / 67.8 Sq. M.	Water Volume	168 gal. / 636 Liters
CV. GPM (1PSID)	228		

* Add circulator amps.

BOILER TEMPERATURE RISE / PRESSURE DROP (Based on Full Input)

20°F / 11.1°C		40°F / 22.2°C				60°F / 33.3°C				80°F / 44.4°C				100°F / 55.5°C					
Flow Rate		Pressure Drop		Flow Rate		Pressure Drop		Flow Rate		Pressure Drop		Flow Rate		Pressure Drop		Flow Rate		Pressure Drop	
GPM	L/s	Ft	kPa	GPM	L/s	Ft	kPa	GPM	L/s	Ft	kPa	GPM	L/s	Ft	kPa	GPM	L/s	Ft	kPa
871.5	55.0	33.7	100.8	435.8	27.5	8.4	25.2	290.5	18.3	3.7	11.2	217.9	13.7	2.1	6.3	174.3	11.0	1.3	4.0

Flow GPM		Temp. Rise** (°F)		Vent Length (Equiv. Ft.)		Air Inlet Length (Equiv. Ft.)	
Min	Max	Min	Max	Min	Max	Min	Max
174.3	871.5	20	100	6	100	0	100

** Min/Max delta t reflects boiler operation at full input. For applications requiring operation above/below these parameters please consult factory.

REP FIRM	_____
SUBMITTED BY	_____
JOB NAME	_____
ARCHITECT	_____
ENGINEER	_____
CONTRACTOR	_____
DATE	_____

FlexCore 9000

Category II or Category IV Appliance
(see Installation and Operation Manual for venting information)



A Division of Mestek, Inc.
Westfield, MA 01085
(413) 564-5515